

Alpha
TUBULAR MOTORS LLC

CATALOG
Issue 8
2025

Motorization Made Easy



ADVANCED, INNOVATIVE TECHNOLOGY with SIMPLE PROGRAMMING

PROVEN RELIABILITY and FULL COMPLIANCE

UNMATCHED SERVICE, SUPPORT with SAME DAY DISPATCH

Motorization Made Easy!



Who is Alpha Motors

Alpha Tubular Motors produce a very high-quality range of motorization products and accessories for indoor roller blinds, outdoor awnings, shutters and screens. Alpha offers reliable, intuitive motorization solutions with a highly competitive edge. Our focus is on genuine high-quality motorization products at a realistic price. We also boast some of the most elegant and flexible controllers on the market and our programming is super simple.

We are currently the second best-selling motor in Australia amongst the usual array of European offerings and we are the best-selling motor by far in external products. At Alpha we place great importance on doing things the right way. We make a point of being ethical in the way we do business and deal with every situation in a manner designed to keep everybody happy.

There are several reasons why everyone is switching to Alpha Motors:

- ✓ Manufacturers warranty
- ✓ Unmatched service
- ✓ Ongoing support
- ✓ Same day dispatch
- ✓ Extremely competitive pricing
- ✓ Proven reliability
- ✓ Advanced technology
- ✓ Easiest programming on the market
- ✓ Best remote control options on the market
- ✓ Preferred motor of many industry giants
- ✓ Full compliance to American standards

Our customers are happy with the all the advantages Alpha has to offer and we hope to partner with you on future projects, and that we may help you grow your business and profitability. Choose Alpha and experience the difference for yourself.

David Fezer

Founder & President, Alpha Tubular Motors



DIRECTORY

Tubular Motors

- Drapery Motors and Accessories p 5-6
- WSER Remote Control Motors p 7-20
- DC Motor Systems p 14-20
- WSEC Automation System Motor p 21
- WSS Mechanical Limits Motors p 22-25
- Manual Override Motors p 26-28

Control Systems

- Alpha-Neo App & Link Box p 29
- Remote Controls p 30-34
- Wall Mount Controls p 35-37
- Receivers p 38
- Curtain Remotes p 39
- Relay Controlled Remote p 40

Sun & Wind Sensors

- Motion Sensor p 41
- Sun & Wind Sensors p 42

Accessories

- Manual Override Accessories p 28
- Crown & Drive Adapters p 44-57
- Brackets p 58-60
- Limit Setting Device & Test Lead p 61
- Cables for AC Motors p 61
- Retractable Awning Motor Guide p 61
- Motor Lifting Capacity Chart p 62

PROUD MEMBER



ADVANCED
TEXTILES
ASSOCIATION





The Alpha Drapery System

AC/DC drapery motors

Electronic limit switch built-in receiver
Auto end limits setting
Soft start and soft stop

Hand operable during power-off
Touch control
3rd intermediate limit position

WSCMJ-AC-1.2 AC drapery motor



WSCMI-DC-2.0 Lithium battery drapery motor and wall mount battery pack

**ALDC
charger
required**

3.28ft connecting
cable supplied



This new drapery motor is available in both AC (WSCMJ) and DC (WSCMI) versions.

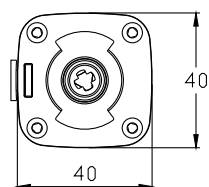
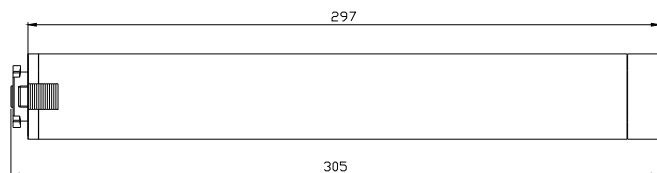
Although very similar, there are a few main differences between the AC and DC variants.

Both are remote control motors that are compatible with all Alpha controllers and our Neo App.

Dry contact control is also available on both for use with switches or relays. Both also can be started by hand, have auto limits setting, and have the same pulling capacity of 110lbs. Both also allow the drapery to be drawn by hand if power is disconnected.

The primary differences are as follows:

- Slightly slower run speed for the DC motor 5.9in/second vs 7in/second
- AC version comes with normal tail and molex connector
- DC version comes with a wall mount cradle for the battery pack and a removable battery for easier charging



DCB007

Rechargeable lithium battery
with internal 3 units lithium batteries
Maximum Output Power: 50W
Output Voltage: 11.1V/4.5A
Input Plug Size: 3.5mm x 1.35mm
Power: 27W/h
Nominal Capacity: 2200mAh
Lifetime: charge/discharge 300 times
Fully charged by power adapter (8 hours)
Working Temperature: -10°C-60°C
Protection Index: IP40
Dimensions: 1.05x0.9x10 inches



Product Certificates



RE306B

Plastic or steel border design
Handheld remote
Comes with wall holder
CODE rolling
FREQUENCY 433.92MHz
POWER SUPPLY 3V battery
TRANSMIT DISTANCE 328ft
SIZE 4.7in x 1.7in x .47in

Specifications

Type	AC	DC
Rated Torque (Nm)	1.2	2
Maximum Pulling Weight (lbs)	44	44
Running Speed (in per second)	7	5.9
Nominal Voltage (V)	100-240	12
Nominal Current (A)	0.47	4
Running Time	∞	∞
Protection Index (IP)	20	20
Total Length (in)	11.8	9.8
Maximum Turns	∞	∞
Net Weight (lbs)	2	1.45
RS-485 Compatible	Yes	No
Relay or Switch Control	Yes	Yes

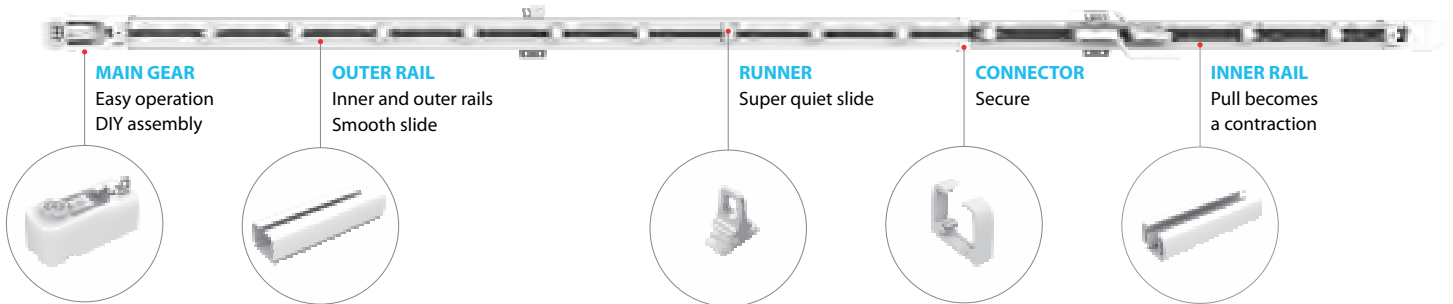
TELESCOPIC DRAPERY TRACK SYSTEM

for
pinch plete
only



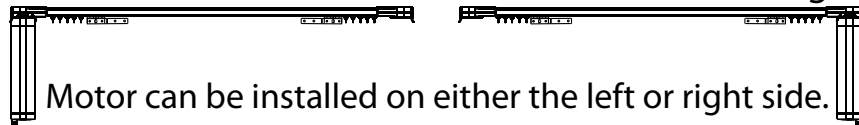
Alpha's Telescopic Track System is a new, innovative product for our drapery range.

- extends to desired width • one key clutch • easy installation
- single belt construction • stable operation • 304 grade steel hardware



Left

Right



Motor can be installed on either the left or right side.

- Size S (6.2'x11') (Load: 110lbs)
- Size M (7.8'x14.4') (Load: 88lbs)
- Size L (9.5'x19.7') (Load: 88lbs)



RE306B
two
channels

Plastic or steel border design
Handheld remote
Comes with wall holder
CODE rolling
FREQUENCY 433.92MHz
POWER SUPPLY 3V battery
TRANSMIT DISTANCE 328ft
SIZE 4.7in x 1.7in x .47in

WSCMQ-A 2Nm



WSCMI-A 1.2Nm



Product Certificates



Curtains



Lift Curtain

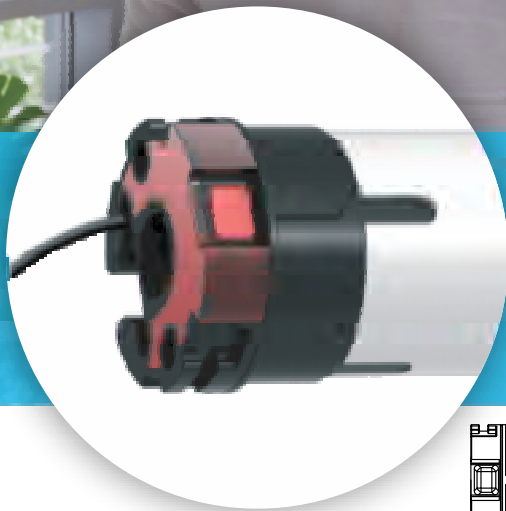


Dream Curtain



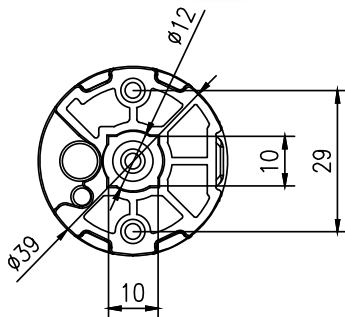
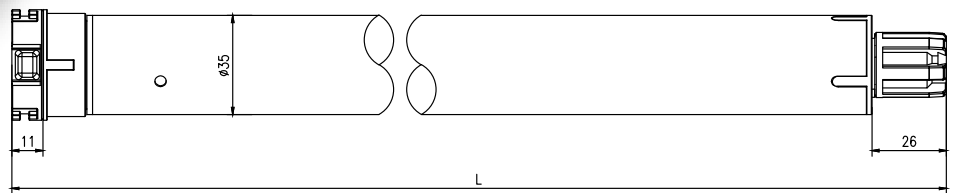
Vertical Blinds

This is a true one motor for all internal blinds. The WSER40 is able to lift 19.6ft wide x 8ft drop with 2 links. It's reliable and delivers smooth quiet operation.



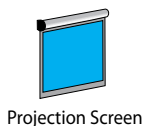
Electronic Limit Switch

Built-in Receiver Motor
35mm diameter

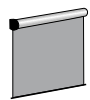


Specifications - 120V / 60Hz

Type	6/34	10/17
Rated Torque (Nm)	6	10
Output Speed (rpm)	34	17
Nominal Consumption (W)	103	103
Nominal Voltage (V)	120	120
Nominal Current (A)	0.88	0.88
Running Time (Min)	4	4
Protection Index (IP)	44	44
Total Length (in)	23.62	23.62
Maximum Turns (Turn)	∞	∞
Net Weight (lb)	3	3



Projection Screen



Roller Blind

Product Certificates



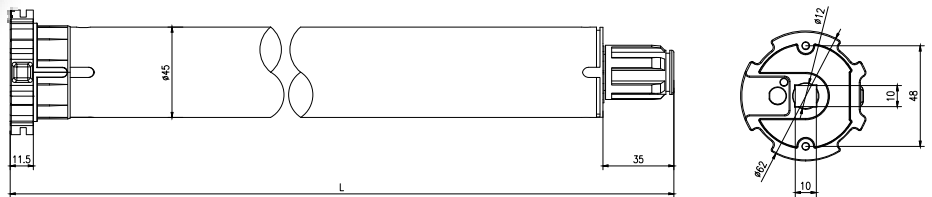
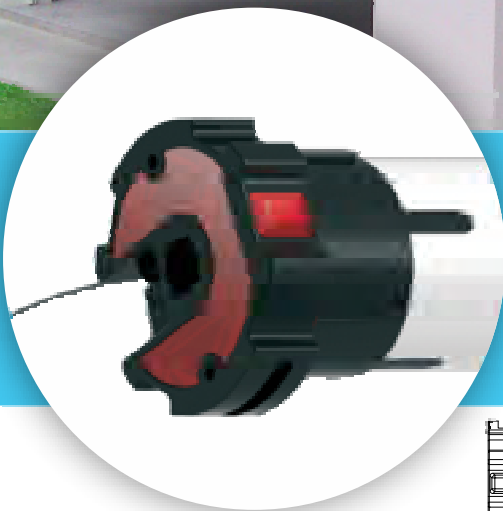
WSER50

universal

Electronic limit switch
Built-in receiver
Wireless limit setting
External antenna

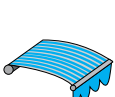
The WSER50 series universal motors are a premium motor designed specifically for external straight drop products. Due to the torque stop function, this motor is ideal for all external drop screen systems. This protective feature can be used to stop on bottom bar impact bullets at the top limit in side channel systems and can also be used to tension the fabric when the shade is down. A top limit is set normally and the torque stop function can be used in conjunction. The **WSER50S** 10Nm/21rpm is a short motor version for smaller applications. It measures in a length of 20.375"

Electronic Limit Switch Built-in Receiver Motor 45mm diameter



OPTIONAL MODEL

The Alpha 6 wire model is both a remote control and dry contact control motor. This allows for both full RF connectivity, as well as the ability to operate via hardwire control, thus allowing for integration into various control systems or a simple doorbell button.



Awning



Roller Blind



Roller Shutter

Product Certificates



Specifications - 120V / 60Hz

Type	10/21 SHORT MOTOR	10/33	30/21	50/16
Rated Torque (Nm)	10	10	30	50
Output Speed (rpm)	21	33	21	16
Nominal Consumption (W)	150	186	186	280
Nominal Voltage (V)	120	120	120	120
Nominal Current (A)	1.26	1.60	1.60	2.40
Running Time (Min)	4	4	4	4
Protection Index (IP)	44	44	44	44
Total Length (in)	20.375	24.80	23.62	24.80
Maximum Turns (Turn)	∞	∞	∞	∞
Net Weight (lb)	5.07	5.07	5.40	5.84

WSER50 8/55

high speed motor

Electronic limit switch
Built-in receiver
Wireless limit setting
External antenna

Discover the Power of Alpha Motors' High-Speed Motor!

Transform your operations with our cutting-edge high-speed motor, expertly designed for optimal performance in both straight drop blinds and side channel systems. Whether you're operating vertically or horizontally, this motor excels in providing rapid open-close access, ensuring efficiency at every turn.

Alpha Motors' high-speed motor is your go-to solution for high-speed applications, delivering flexibility and reliability when you need it most. Elevate your systems today with a motor that works as hard as you do!

Electronic Limit Switch Built-in Receiver Motor 45mm diameter

KEY FEATURES

Lightning-Fast Operation

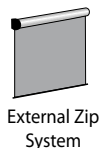
Experience quick access to your systems with unparalleled speed.

Robust Performance

Engineered for strength and durability, this motor stands up to the toughest demands.

Versatile Applications

Perfect for a variety of setups, making it an essential addition to your toolkit.



Product Certificates



Specifications - 24V / 60Hz

Type	8/55
Rated Torque (Nm)	8
Output Speed (rpm)	55
Nominal Consumption (W)	280
Nominal Voltage (V)	120
Nominal Current (A)	2.40
Running Time (Min)	4
Protection Index (IP)	44
Total Length (in)	23.63
Maximum Turns (Turn)	∞
Net Weight (lb)	5.84

WSER50

retractable awning motor

Electronic limit switch
Built-in receiver
Wireless limit setting
External antenna

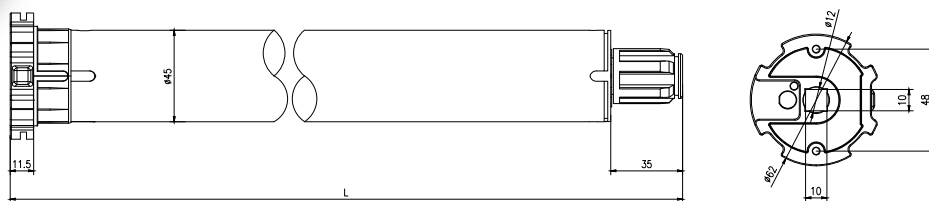
The WSER50 retractable awning motors are designed to automatically set their inner limit based on tension. It will also allow you to set the inner limit manually if you require.

When using the auto inner limit setting, the outer limit is set manually using the remote and it will find its own inner stopping position by detecting the resistance as it reaches the fully closed position the first time it is closed. After this the motor will stop in this position after detecting an increased resistance of 25% while moving.

On larger cassette awnings, 25% is sometimes not enough so you can increase this to 50%, 75% or 100% if required. It's rare to need this adjustment but it's a good feature to have.

When used with Sun/Wind sensors or Motion sensors, this motor detects a pulse from the sensor issued every 20 minutes. If the awning is out and does not receive a signal from the sensor for half an hour, it will close itself automatically as a protective measure assuming the sensor has failed or the batteries are flat.

Electronic Limit Switch Built-in Receiver Motor 45mm diameter



Specifications - 120V / 60Hz

Type	30/21	50/16
Rated Torque (Nm)	30	50
Output Speed (rpm)	21	16
Nominal Consumption (W)	186	280
Nominal Voltage (V)	120	120
Nominal Current (A)	1.60	2.40
Running Time (Min)	4	4
Protection Index (IP)	44	44
Total Length (in)	23.62	24.80
Maximum Turns (Turn)	∞	∞
Net Weight (lb)	5.40	5.84

This motor's safety feature is the main reason you should always choose this motor for retractable awnings if a sensor is going to be used. Models are also available in 6 wire for both radio and dry contact control.



Product Certificates

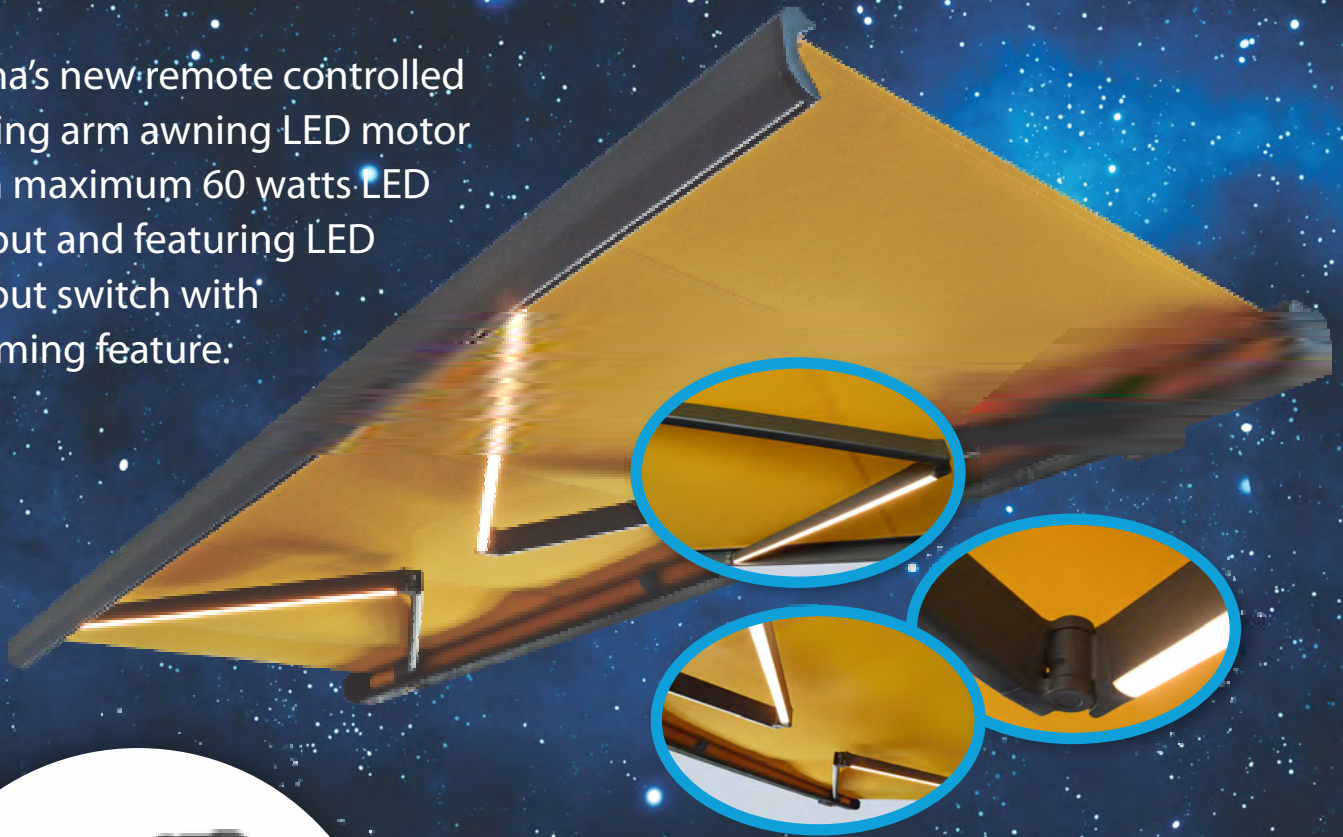


WSER50 LED

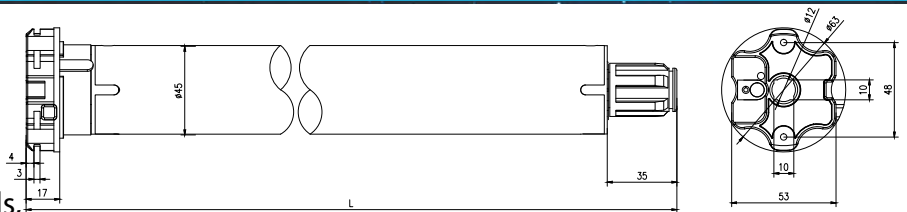
retractable awning motor

Electronic limit switch
Built-in receiver
DC 12V/24V, 80W

Alpha's new remote controlled folding arm awning LED motor with maximum 60 watts LED output and featuring LED output switch with dimming feature:



Electronic Limit Switch Built-in Receiver Motor 45mm diameter



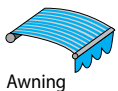
The light sensor is activated via the remote. During strong winds, this function is blocked. There is a constant radio link between the wind/light sensor and motor to ensure the safety of the awning.



RE301-LED

The RE301-LED controls the WSER50-50/16 LED Cassette Awning motors. This remote has on/off and dimming function for the LED's. Comes with magnetic wall mount 1 channel with rolling codes.

Frequency 433.92MHz
CR2032 battery



Awning



Product Certificates



Specifications - 120V / 60Hz

Type	30/21	50/16
Rated Torque (Nm)	30	50
Output Speed (rpm)	21	16
Nominal Consumption (W)	280	280
Nominal Voltage (V)	120	120
Nominal Current (A)	2.40	2.40
Running Time (Min)	4	4
Protection Index (IP)	44	44
Total Length (in)	23.6	24.8
Maximum Turns (Turn)	∞	∞
Net Weight (lb)	5.4	5.84

WSME50 50/16 LED

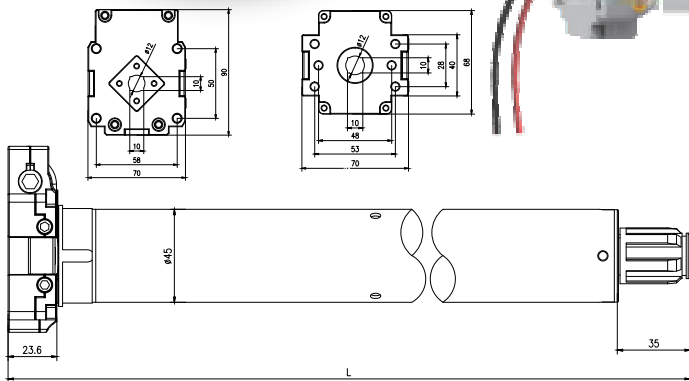
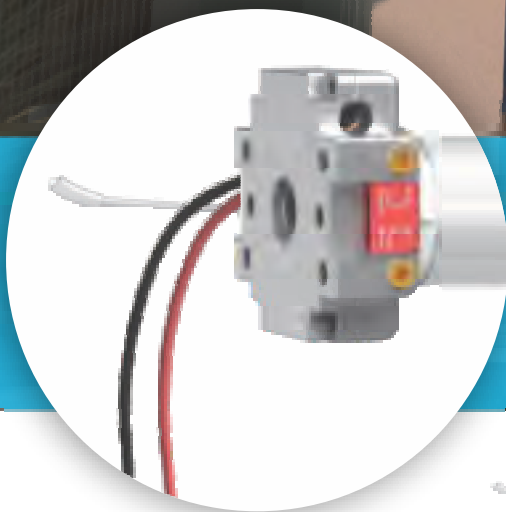
retractable awning motor

Electronic limit switch
Built-in receiver
DC 24V, 60W

Alpha's new remote controlled folding arm awning LED motor with maximum 60 watts @24VDC LED output with dimming feature.

The light sensor is activated via the remote. During strong winds, this function is blocked. There is a constant radio link between the wind/light sensor and motor to ensure the safety of the awning.

Mechanical Limits Switch Built-in Receiver Motor 45mm diameter



Specifications - 120V / 60Hz

Type	50/16
Rated Torque (Nm)	50
Output Speed (rpm)	16
Nominal Consumption (W)	60
Nominal Voltage (V)	24
Nominal Current (A)	1.60
Running Time (Min)	4
Protection Index (IP)	44
Total Length (in)	23.62
Maximum Turns (Turn)	∞
Net Weight (lb)	5.40



Awning



A3047
eye outlet

RE301
LED
remote



Product Certificates



WSER50 OD

Electronic limit switch
Built-in receiver
Wireless limit setting
External antenna

obstacle detection motor with starhead

Designed primarily with zip style systems in mind, this motor incorporates obstacle detection in both directions. It can stop on bottom bar impact bullets at the top limit if necessary on the way up, but also, if on the way down, the motor detects that the bottom bar has stopped moving in the channel due to getting stuck or hitting an object, it will rebound to a higher point and attempt to go down again. After attempting this 3 times unsuccessfully, if it has detected an obstacle, it will return to the rebound position and stop. But if it has detected wind stopping the awning, then it will return to the top limit. This motor has a star shaped head which is different to all other Alpha motor heads, and will suit many common mountings used by various manufacturers when producing their product.

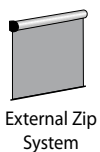
**OPTIONAL
BLACK CORD
AVAILABLE**

Electronic Limit Switch Built-in Receiver Motor 45mm diameter



Specifications - 120V / 60Hz

Type	30/21	50/16
Rated Torque (Nm)	30	COMING SOON
Output Speed (rpm)	21	
Nominal Consumption (W)	186	
Nominal Voltage (V)	120	
Nominal Current (A)	2.4	
Running Time (Min)	4	
Protection Index (IP)	44	
Total Length (in)	23.62	
Maximum Turns (Turn)	∞	
Net Weight (lb)	5.40	



For compatible mounting brackets, please see the A3438 and A3440 on page 58

Product Certificates



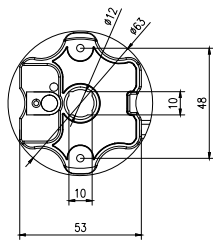
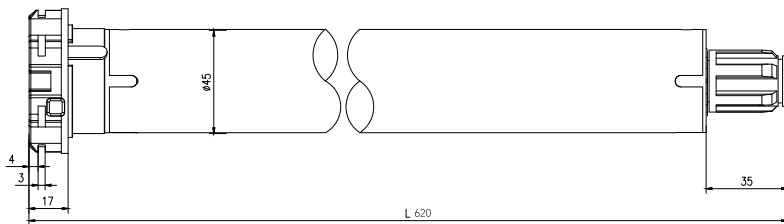
WSERD50-B 20/12

rechargeable DC battery motor with obstacle detection

3rd intermediate limit position
Soft stop
Electronic limit switch
USB-C charging
45mm diameter motor



This new super quiet motor offering from Alpha features a built-in rechargeable lithium-ion battery, designed for external applications like zip systems and straight drops awnings. The WSERD50B is much faster than similar competitor motors. Offers a range of charging options, including headbox-mounted charging sockets, side channel charging sockets, or TYB004 solar panel options.



Straight Drop



External Zip System

Product Certificates

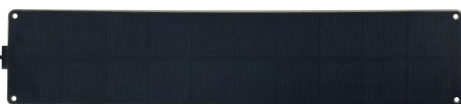


Specifications - 120V / 60Hz

Type	20/12
Rated Torque (Nm)	20
Output Speed (rpm)	12
Nominal Consumption (W)	96
Nominal Voltage (V)	12
Nominal Current (A)	8
Running Time (Min)	12
Protection Index (IP)	44
Total Length (in)	31.5
Maximum Turns (Turn)	∞
Net Weight (lb)	5.7

Accessories

TYB004



USB-C solar panel
Output Power: 3 watts
Protection Index: IP66
Working Temp: -10°C - +65°C
Dimensions: 15x3.2x0.2in

ALDC 5V-C Charger

(5 volt USB-C charger with 9.8ft cable)



USB-C CP 150mm

(external charging port)



USB-C CP 1.5m

(external charging port)



WSER60

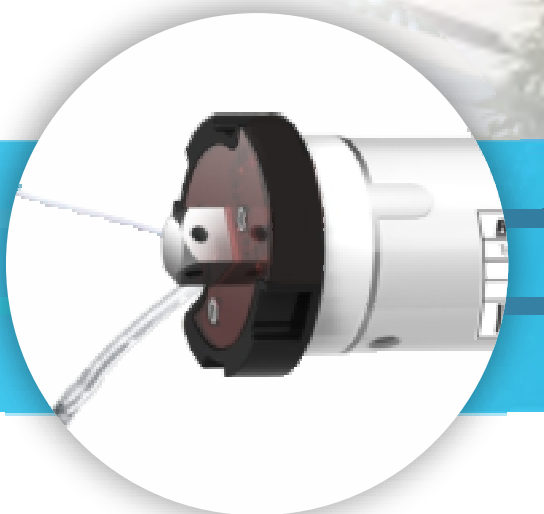
universal motor

Electronic limit switch
Built-in receiver
Wireless limit setting
External antenna

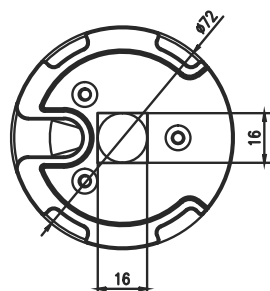
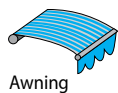
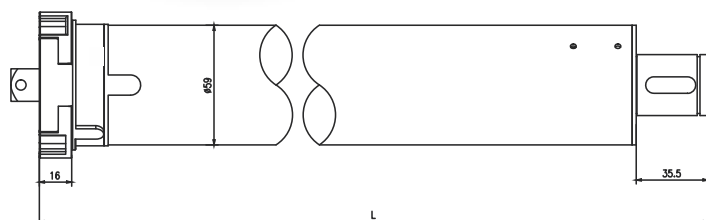
The WSER60 is the heavy duty motor within the WSER family.

Although it's a universal motor, it's compatible with extra-large retractable awnings, including the additional safety features provided by motion and wind sensors.

Due to the larger diameter of this motor, the smallest tube it can be used with is a 78mm single keyway tube, or a 70mm octagonal roller shutter tube.



Electronic Limit Switch Built-in Receiver Motor 60mm diameter



Product Certificates



Specifications - 120V / 60Hz

Type	100/15	140/11
Rated Torque (Nm)	100	140
Output Speed (rpm)	15	11
Nominal Consumption (W)	478	478
Nominal Voltage (V)	120	120
Nominal Current (A)	4.02	4.02
Running Time (Min)	4	4
Protection Index (IP)	44	44
Total Length (in)	29.13	29.13
Maximum Turns (Turn)	∞	∞
Net Weight (lb)	10.47	10.49

WSERD30T

100-240V AC motor

AC 120-240V power supply
Built-in transformer
Electronic limit switch
Built-in receiver
Tilting to adjust light
3rd intermediate limit position

SMALL and QUIET

Alpha's new WSERD30T motor delivers optimal performance.

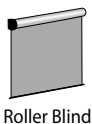
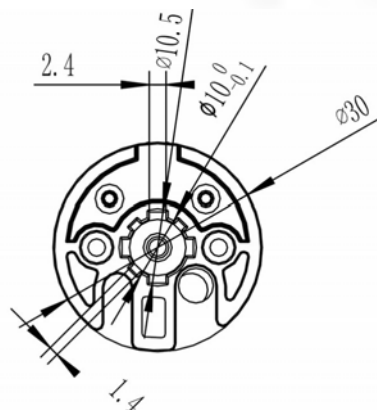


- Push button programming.
- Compact design.
- Sound level 34db.
- 25mm diameter



Specifications

Type	2/31
Rated Torque (Nm)	2
Maximum Pulling Weight (kg)	31
Nominal Consumption (W)	13.6
Nominal Voltage (V)	100-240
Nominal Current (A)	0.24
Running Time	4 min
Protection Index (IP)	20
Total Length (in)	17.7
Maximum Turns	∞
Net Weight (lbs)	1.1
Relay or Switch Control	Yes



Roller Blind

Product Certificates



WSERD24

DC battery motor

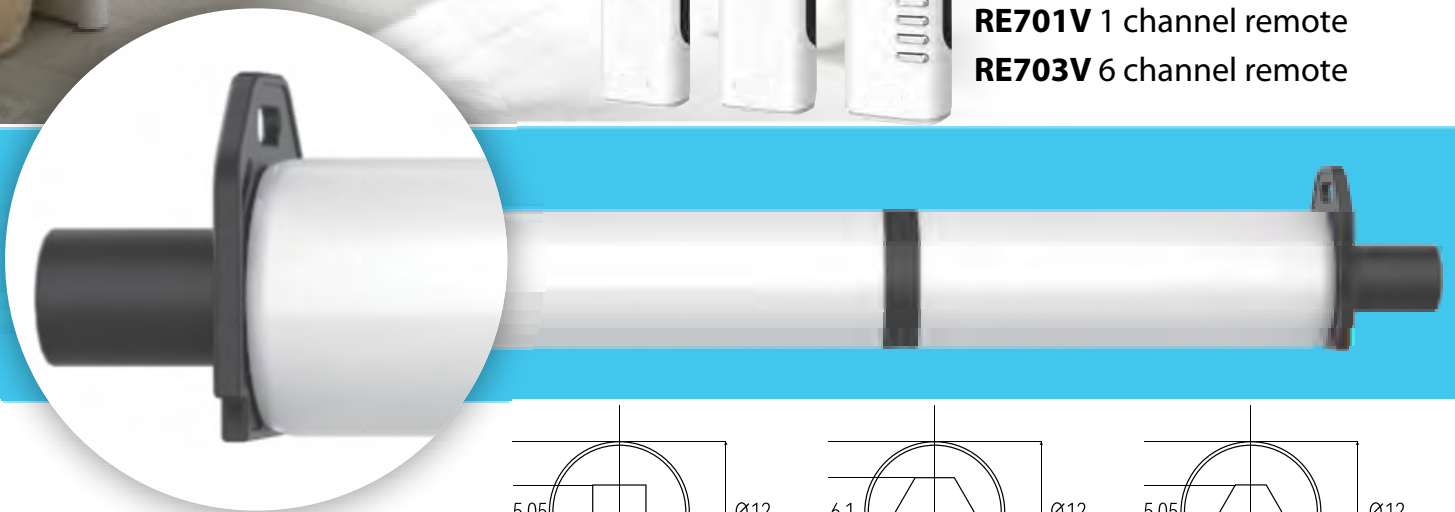
Electronic limit switch
Built-in receiver
3rd intermediate limit position

The all new WSERD24 is super quiet with low consumption.

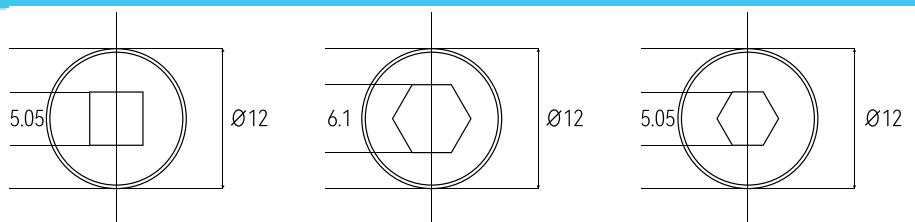
This motor has adjustable speed control.

Suitable for cellular, honeycomb shades and small venetian blinds.

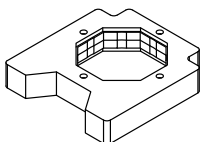
Remote Control with slide wheel to rotate blade angle.
RE701V 1 channel remote
RE703V 6 channel remote



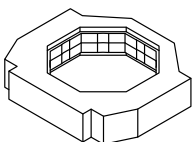
3 shaft adaptors supplied



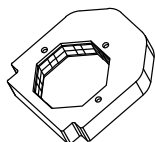
Drive adaptor supplied with request (2 required)



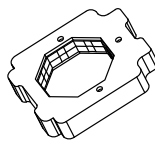
drive adaptor K



drive adaptor L



drive adaptor M



drive adaptor N

Specifications - 12V DC

Type	1.5/35
Rated Torque (Nm)	1.5
Output Speed (rpm)	35
Nominal Consumption (W)	16.8
Nominal Voltage (V)	12
Nominal Current (A)	1.4
Protection Index (IP)	20
Total Length (in)	9.21
Maximum Turns (Turn)	∞
Net Weight (lb)	0.61



Honeycomb Blind



Venetians

Product Certificates



WSERD30-B

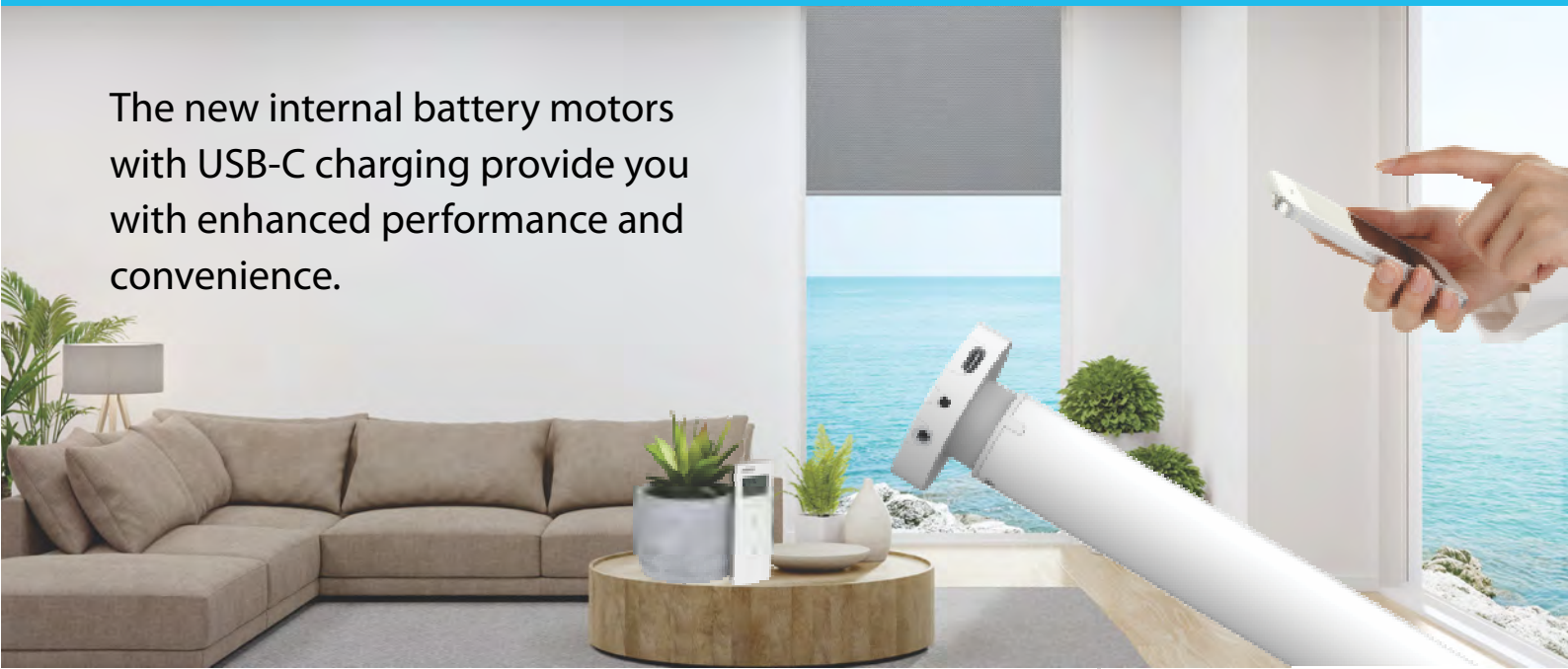
rechargeable DC battery motor

19

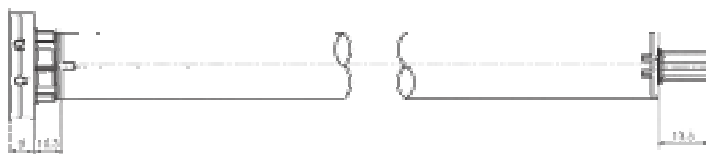
1/30 C
2/31 C
3/20 C

Electronic limit switch
Built-in receiver
25mm diameter motor
USB-C charging

The new internal battery motors with USB-C charging provide you with enhanced performance and convenience.

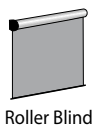


- Short motor
- 5 volt USB-C charging capability
- Whisper-quiet operation
- 3 adjustable speeds
- Patented coreless technology
- Antenna-free sleek design
- Soft stop function
- Full reset function

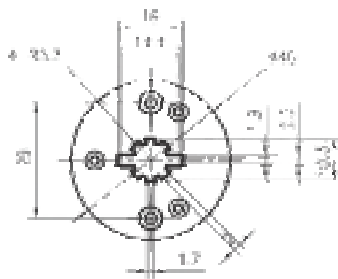


Specifications - DC

Type	1/30C	2/31C	3/20C
Rated Torque (N.m)	1	2	3
Output Speed (rpm)	20/25/30	25/30/35	15/18/20
USB-C Charger Required	5V/1A	5V/1A	5V/1A
Nominal Consumption (W)	16.3	16.3	16.3
Nominal Voltage (V)	7.4	11.1	11.1
Speed Adjustable	yes	yes	yes
Running Time (Min)	∞	∞	∞
Protection Index (IP)	20	20	20
Total Length (inches)	18	20.6	20.6
Maximum Turns (Turn)	∞	∞	∞
Net Weight (lbs)	1.05	1.2	1.2
Max Lifting Capacity (ft)	6.5x6.5	9.8x9.8	6.5x13



Roller Blind

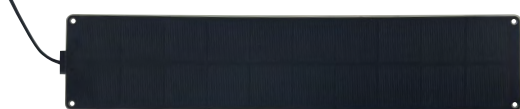


Product Certificates



Accessories

TYB004



USB-C solar panel
Output Power: 3 watts
Protection Index: IP66
Working Temp: -10°C - +65°C
Dimensions: 380x82x2mm

ALDC 5V-C Charger

(5 volt USB-C charger with 3m cable)



EXT USB-C 20cm



EXT USB-C 3m



WSERD40B

rechargeable DC battery motor

Built-in rechargeable Lithium batteries
Electronic limit switch with Built-in receiver
3rd intermediate limit position

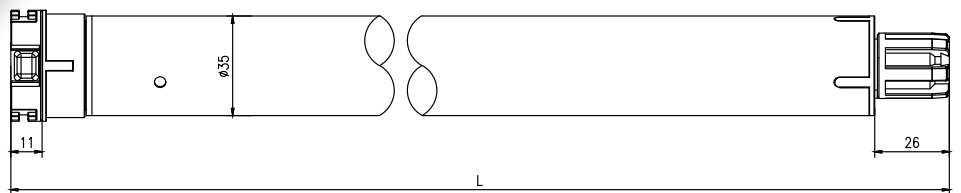


The market talked and we listened! Alpha is proud to introduce an indoor **and** outdoor rated 5Nm rechargeable. It is suitable for certain external screens, yet retains a sleek mounting head for refined interior applications. It is the ideal solution for wide spanning shading systems that demand power and speed without the need for an electrician. Like all other Alpha radio products, it is compatible with all Alpha controls and integration devices.

Can be combined with TYB006 Solar Panel.

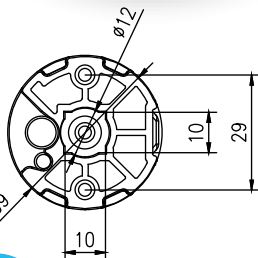
ALDC charger required

- * Charger comes with 13ft cable.
- * 10ft extension cable also available.
- * Motor comes with 20cm charging tail for optional use, in case the motor head is difficult to access after installation.



Specifications - 12V DC

Type	5/28	10/14
Rated Torque (Nm)	5	10
Output Speed (rpm)	28	14
Nominal Consumption (W)	42	36
Nominal Voltage (V)	12	12
Nominal Current (A)	3.5	3.5
Running Time (Min)	∞	∞
Protection Index (IP)	44	44
Total Length (in)	24	24
Maximum Turns (Turn)	∞	∞
Net Weight (lb)	3	3



The 5/28 is able to lift
18' x 7'6" drop.
It's reliable and delivers
smooth, quiet operation.

TYB006 Solar Panel



Roller Blind

Product Certificates



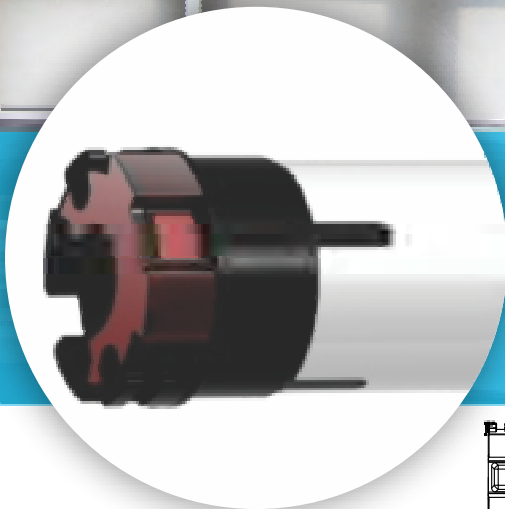
WSEC40

universal

Electronic limit switch
For use with building management systems
Parallel wiring compatible
Counter balanced noise suppression

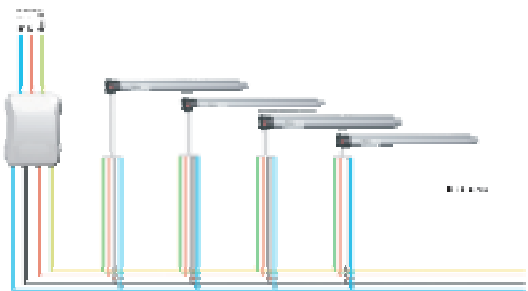
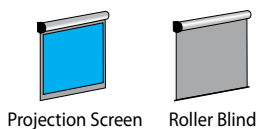
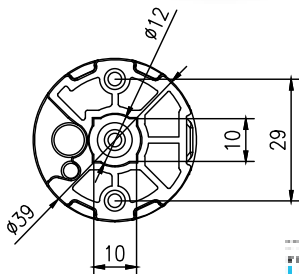
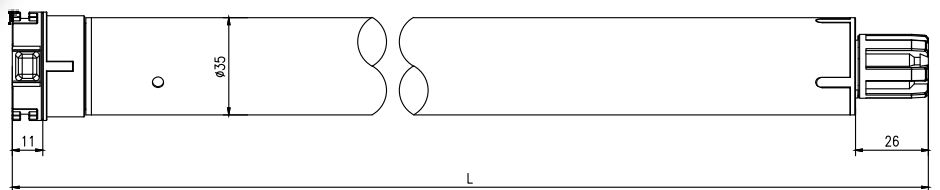
The WSEC40 is an electronic limits 4 core motor that will allow multiple motors to be parallel wired together. The number is only restricted by the power source feeding them.

Limits may be set by using either the WSB11 limit setting tool or by using the button on the motor head.



Push Button Type

Electronic Limit Switch Parallel Connector Motor - 35mm diameter



Specifications - 120V / 60Hz

Type	6/34
Rated Torque (Nm)	6
Output Speed (rpm)	34
Nominal Consumption (W)	103
Nominal Voltage (V)	120
Nominal Current (A)	0.88
Running Time (Min)	4
Protection Index (IP)	44
Total Length (in)	23.62
Maximum Turns (Turn)	∞
Net Weight (lb)	2.98

Product Certificates

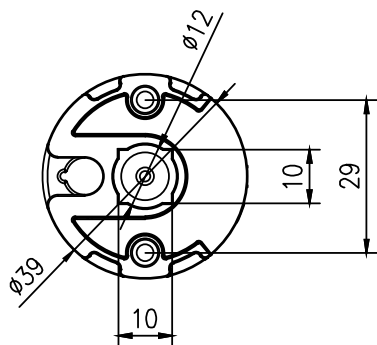
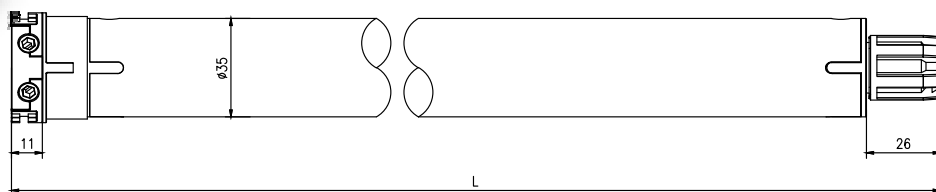


The WSS40 is a basic 4 core motor for when you want a reliable workhorse without any bells and whistles and switch operation.

Unlike the WSEC Series motors, these motors cannot be parallel wired.

Standard Type Motor

35mm diameter



Projection Screen



Roller Blind

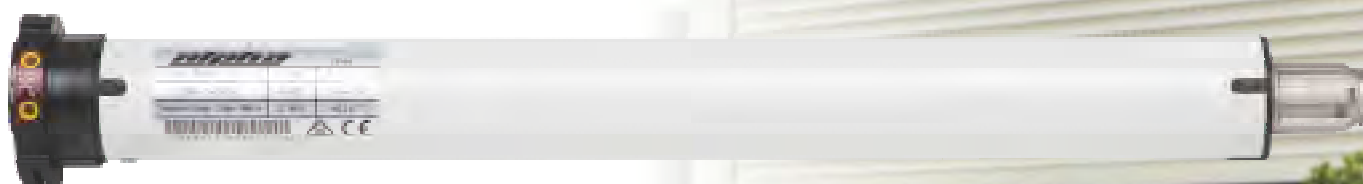
Product Certificates



Specifications - 120V / 60Hz

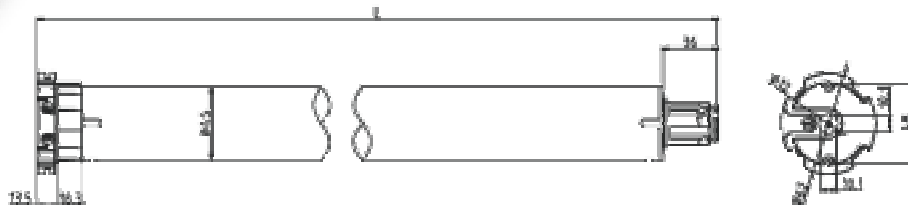
Type	6/34	10/17
Rated Torque (Nm)	6	10
Output Speed (rpm)	34	17
Nominal Consumption (W)	103	127
Nominal Voltage (V)	120	230
Nominal Current (A)	0.88	0.55
Running Time (Min)	4	4
Protection Index (IP)	44	44
Total Length (in)	20.08	19
Maximum Turns (Turn)	27	27
Net Weight (lb)	2.86	2.9

The WSS50 is a basic 4 core motor for when you want a reliable workhorse without any bells and whistles and switch operation.



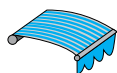
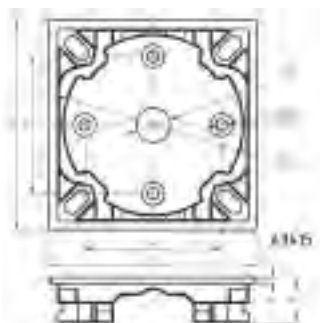
Standard Type Motor

45mm diameter

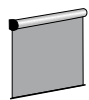


Specifications - 120V / 60Hz

Type	30/21	50/16
Rated Torque (Nm)	30	50
Output Speed (rpm)	21	16
Nominal Consumption (W)	186	280
Nominal Voltage (V)	120	120
Nominal Current (A)	1.60	2.40
Running Time (Min)	4	4
Protection Index (IP)	44	44
Total Length (in)	22.44	22.44
Maximum Turns (Turn)	27	27
Net Weight (lb)	5.29	5.73



Awning



Roller Blind



Roller Shutter

Product Certificates



WSSD50

DC motor

Mechanical limit switch
DC 2 core motor
45mm diameter motor

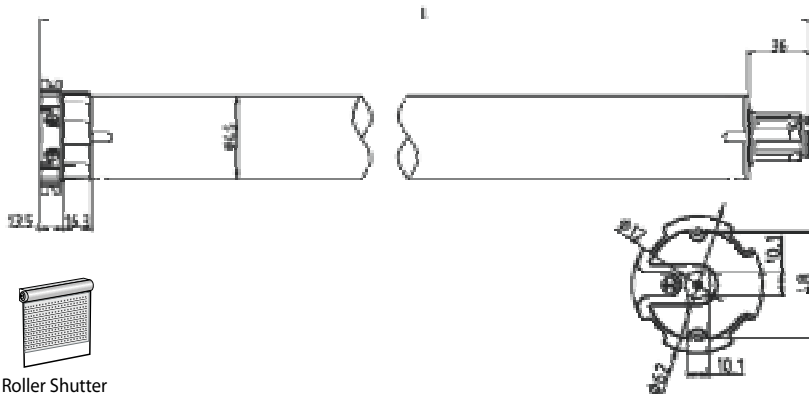
Alpha's DC roller shutter motor with rechargeable wall switch.

This 20Nm motor is designed to lift most domestic roller shutters.

The wall switch incorporates a USB-C rechargeable battery to power the motor. Two wall switch versions are available: DCB003 for up/stop/down control and DCB003-R which includes a built-in receiver to allow remote control operation.



COMING SOON



Roller Shutter

Specifications - 240V / 50Hz

Type	20/12
Rated Torque (N.m)	20
Output Speed (rpm)	12
Nominal Consumption (W)	84
Nominal Voltage (V)	12
Nominal Current (A)	7
Running Time (Min)	12
Protection Index (IP)	44
Total Length (inches)	23.6
Maximum Turns (Turn)	27
Net Weight (lbs)	3

Product Certificates



DCB003



DCB003-R



DCB003-8045A

WALL CRADLE



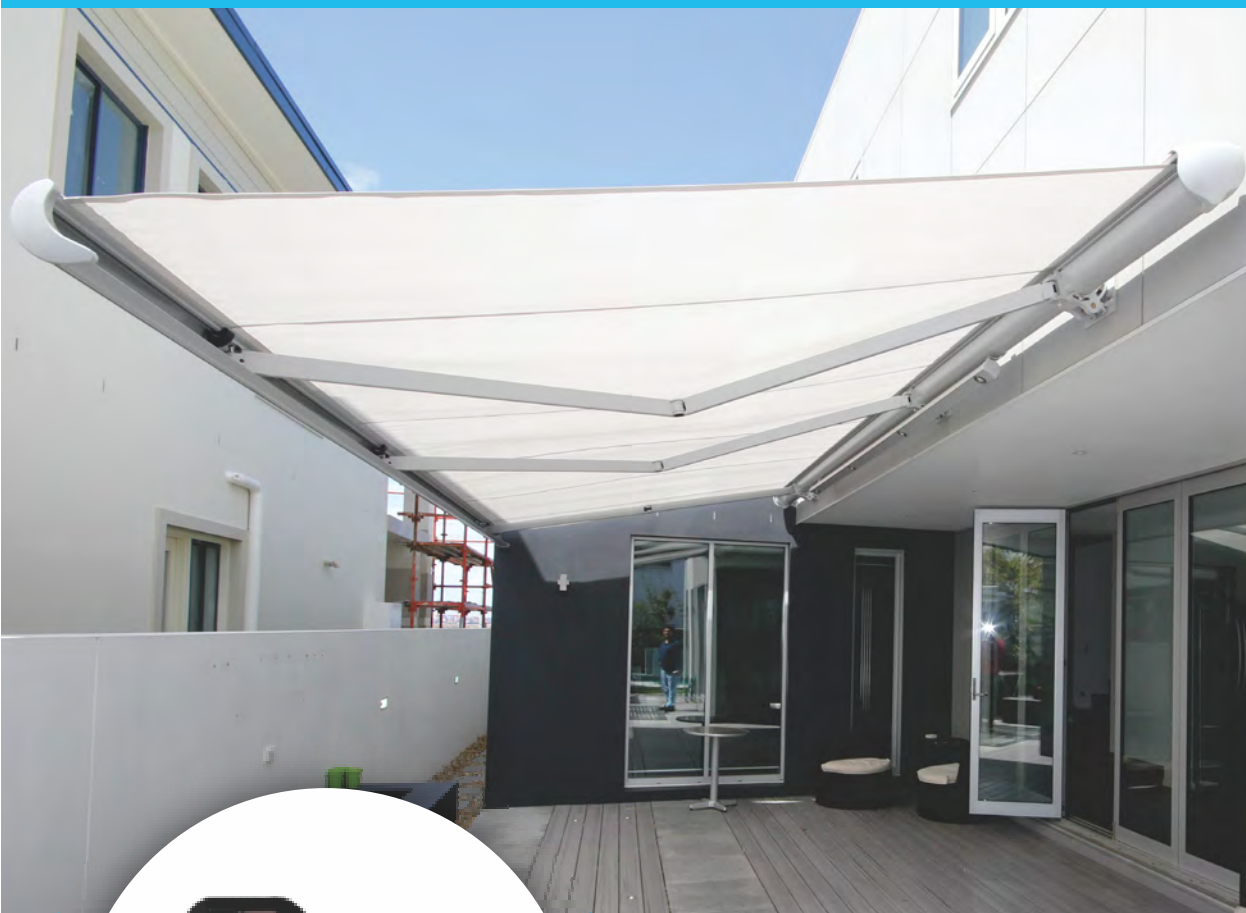
Rechargeable Wall Switches

Output Power (W)	60
Nominal Capacity (mAh)	3000
Protection IP	40
USB-C Charger Required	5V/1A
Dimensions (inches)	5.9x2.2x1.2

WSS60 100/15

59mm motor

Built in receiver
Mechanical limits

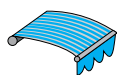


Standard Type Motor

59mm diameter

WSS60 is a basic 4 wire motor.

This motor is great for projects that need a workhorse motor that operates with a wall switch.



Awning



Roller Door

Product Certificates



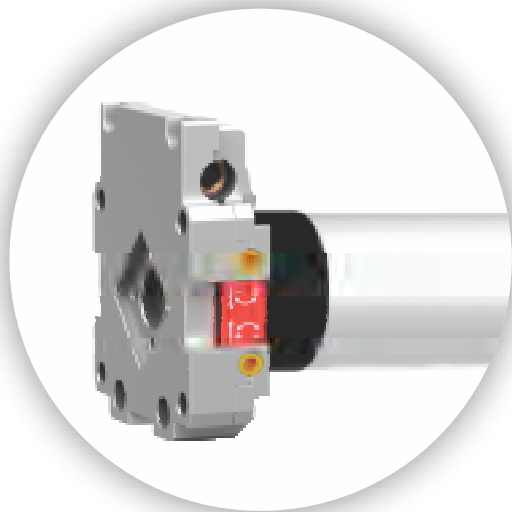
Specifications - 120V / 60Hz

Type	20/65	100/15	140/11
Rated Torque (Nm)	20	100	140
Speed (rpm)	65	15	11
Nominal Consumption (W)	478	478	478
Nominal Voltage (V) AC	120	120	120
Nominal Current (A)	4.02	4.02	4.02
Running Time (Min)	4	4	4
Protection Index (IP)	44	44	44
Total Length (in)	24.4	24.4	24.4
Maximum Turns (Turn)	27	27	27
Net Weight (lb)	10.7	10.7	10.7

WSM50 50/16

Standard type
Mechanical switch

manual override



This is a mechanical limits motor, with the addition of manual override. This feature allows a roller shutter or awning to be operated by a crank handle in the event of a power failure. This feature is to allow for emergency operation only and is not suitable for general usage.

**PLEASE NOTE
for eyelet and crank handle
options please see page 28**

Specifications - 120V/60Hz

Type	50/16
Rated Torque (N.m)	50
Output Speed (rpm)	16
Nominal Consumption (W)	280
Nominal Voltage (V)	120
Nominal Current (A)	2.40
Running Time (Min)	4
Protection Index (IP)	44
Total Length (in)	24.8
Maximum Turns (Turn)	27
Override Turn Ratio	45:1
Net Weight (lb)	7.28



Roller Shutter



Awning

Product Certificates



WSM60 100/15

Standard type
Mechanical switch

manual override



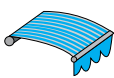
This is a mechanical limits motor, with the addition of manual override. This feature allows a roller shutter or awning to be operated by a crank handle in the event of a power failure. This feature is to allow for emergency operation only and is not suitable for general usage.

Specifications - 120V / 60Hz

Type	100/15
Rated Torque (Nm)	100
Output Speed (rpm)	15
Nominal Consumption (W)	478
Nominal Voltage (V)	120
Nominal Current (A)	4.02
Running Time (Min)	4
Protection Index (IP)	44
Total Length (in)	33.9
Maximum Turns (Turn)	27
Net Weight (lb)	13.6



Roller Shutter



Awning

Product Certificates



WSME50

manual override

Standard type
Mechanical switch
Built-in receiver



The WSME50 is a remote control version of a mechanical limits motor, with the addition of manual override. This feature allows a roller shutter or awning to be operated by a crank handle in the event of a power failure. The manual override feature is to allow for emergency operation only and is not suitable for general usage.

PLEASE NOTE
for eyelet and
crank handle
options please
see page 28

Specifications - 120V / 60Hz

Type	50/16
Rated Torque (Nm)	50
Output Speed (rpm)	16
Nominal Consumption (W)	280
Nominal Voltage (V)	120
Nominal Current (A)	2.40
Running Time (Min)	4
Protection Index (IP)	44
Total Length (in)	15.1
Maximum Turns (Turn)	27
Net Weight (lb)	9.48



Awning



Roller Shutter

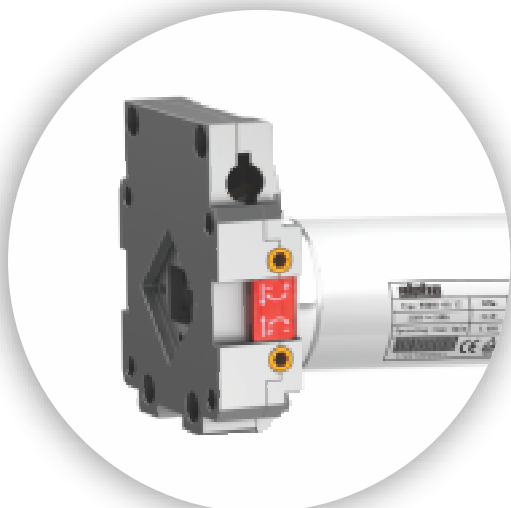
Product Certificates



WSME60

manual override

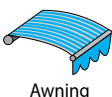
Standard type
Mechanical switch
Built-in receiver



The WSME60 is a remote control version of a mechanical limits motor, with the addition of manual override. This feature allows a roller shutter or awning to be operated by a crank handle in the event of a power failure. The manual override feature is to allow for emergency operation only and is not suitable for general usage.

Specifications - 120V / 60Hz

Type	140/11	100/15
Rated Torque (Nm)	140	100
Output Speed (rpm)	11	15
Nominal Consumption (W)	478	478
Nominal Voltage (V)	120	120
Nominal Current (A)	4.02	4.02
Running Time (Min)	4	4
Protection Index (IP)	44	44
Total Length (in)	33.9	33.9
Maximum Turns (Turn)	27	27
Net Weight (lb)	13.6	13.6



Awning



Roller Door

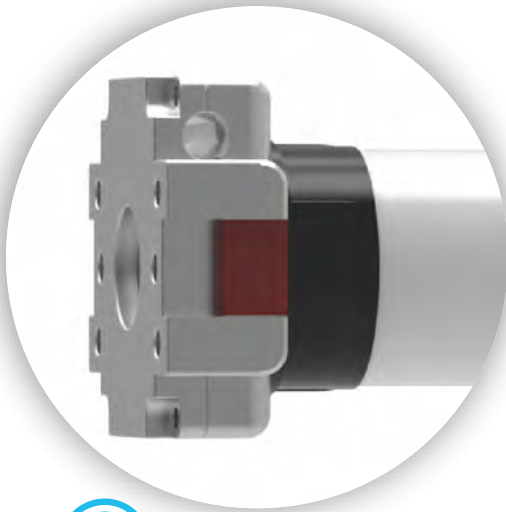
Product Certificates



WSME50 ELECTRONIC

manual override with electronic limits

Electronic limit switch
Built-in receiver
Wireless limit setting
External antenna



This motor has manual override and electronic limits. Unlike most override motors, the electronic limits allow easy installation and programming, as well as the flexibility to be used in cassette systems that block access to typical mechanical limit mechanisms on conventional manual override motors.

This motor has a smaller head with threaded holes for direct mounting.

**LED VERSION
COMING SOON**

Specifications - 120V / 60Hz

Type	50/16
Rated Torque (Nm)	50
Output Speed (rpm)	16
Nominal Consumption (W)	280
Nominal Voltage (V)	120
Nominal Current (A)	2.40
Running Time (Min)	4
Protection Index (IP)	44
Total Length (in)	25.80
Maximum Turns (Turn)	∞
Net Weight (lb)	5.84



Awning

Product Certificates

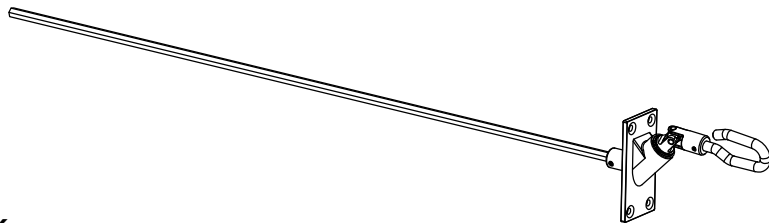


Manual Override Motor Accessories

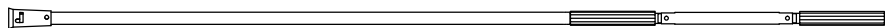
A3018 Hook Hand Crank
5ft length



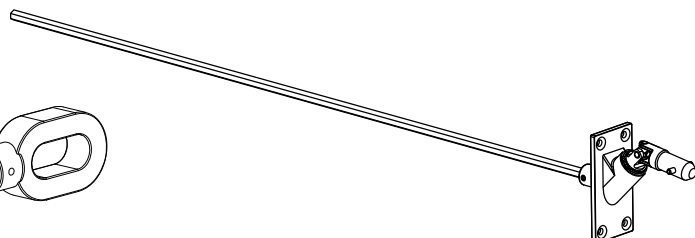
A3025-02 Hook Eyelet
for A3018



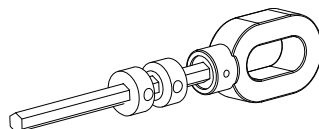
A3018K Bullet Hand Crank
5ft length



A3025-03 Bullet Eyelet
for A3018K



A3047 Eyelet
available in either 4", 6" & 12" shaft length



Alpha-Neo App & Link Box

ALPHA^{NEO}

App integration
made easy



Control4

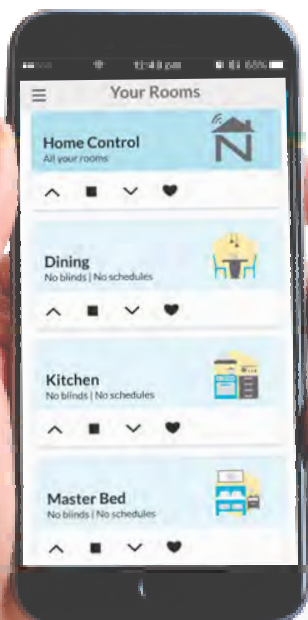
SAVANT

CRESTRON



This app is extremely versatile and easy to set up. It controls motorized products individually, or by area, or the whole house at once from anywhere in the world with an internet connection. All functionality can be scheduled to operate automatically.

Simply purchase the link box and download the free app for either Android or Apple. This app is compatible with all Alpha remote control motors. There is no limit to the number of control devices you can connect. There are 30 control groups (rooms) available and you can add up to 8 blinds per group. Additionally, you can create up to 40 schedules to automate functionality.



Specifications

Type	
Nominal Voltage (V)	5
Nominal Current (A)	1
Frequency MHz	433.92
Code Type	Rolling
Power Requirements	5V DC
Number of Channels	Max 240
Total Length (in)	2.95
Total Width (in)	2.36
Total Height (in)	0.98

Alpha's Pioneer series remote controls have a new sleeker look and wall holder design. The other big change is the addition of a battery cover, so there is no more need to un-screw the back to change the battery. Available in single or 4 channel versions without a screen, or 4, 8 or 16 channel versions with a screen, as well as single and 4 channel options with timers. Incorporating soft silicone rubber edges and buttons, this is a great remote for use with external products where being a bit more bounce proof is an advantage. All Alpha remotes and receivers are inter-compatible. Remotes now have an easy access battery compartment.

Single Channel



RE101

Specifications

Channels	1
Frequency (MHz)	433.92
Codes	Rolling
Wall Mount	Yes

4 Channel



RE102

Specifications

Channels	4
Frequency (MHz)	433.92
Codes	Rolling
Wall Mount	Yes

With the 4, 8 & 16 channel remotes you can control 4, 8 or 16 different motors or receivers separately or any group among them.

The 4T is a 4 channel variant which can set up 8 different open/close times and also select days of the week.



RE103

Specifications

Channels	4, 8, 16, 4T
Frequency (MHz)	433.92
Codes	Rolling
Wall Mount	Yes

Keyring
Remote

RE110

Specifications

Channels	1
Frequency (MHz)	433.92
Codes	Rolling

The Navigator series has an elegant and simple design featuring stainless steel edge trim and a near invisible magnetic wall mount. The stainless finish is much more than simply a trim on the edge. It's actually a solid steel chassis to which the front and back panels are attached. This gives the remote a great deal of structural strength, but additionally adds a significant feel of weight and quality in the hand that customers often notice. Available in single and 5 channel without screens, and 4, 8 and 16 channel with screens as well as single and 4 channel options with timers.



RE301

Specifications

Channels	1
Frequency (MHz)	433.92
Codes	Rolling
Magnetic Wall Mount	Yes



RE302

Specifications

Channels	5
Frequency (MHz)	433.92
Codes	Rolling
Magnetic Wall Mount	Yes



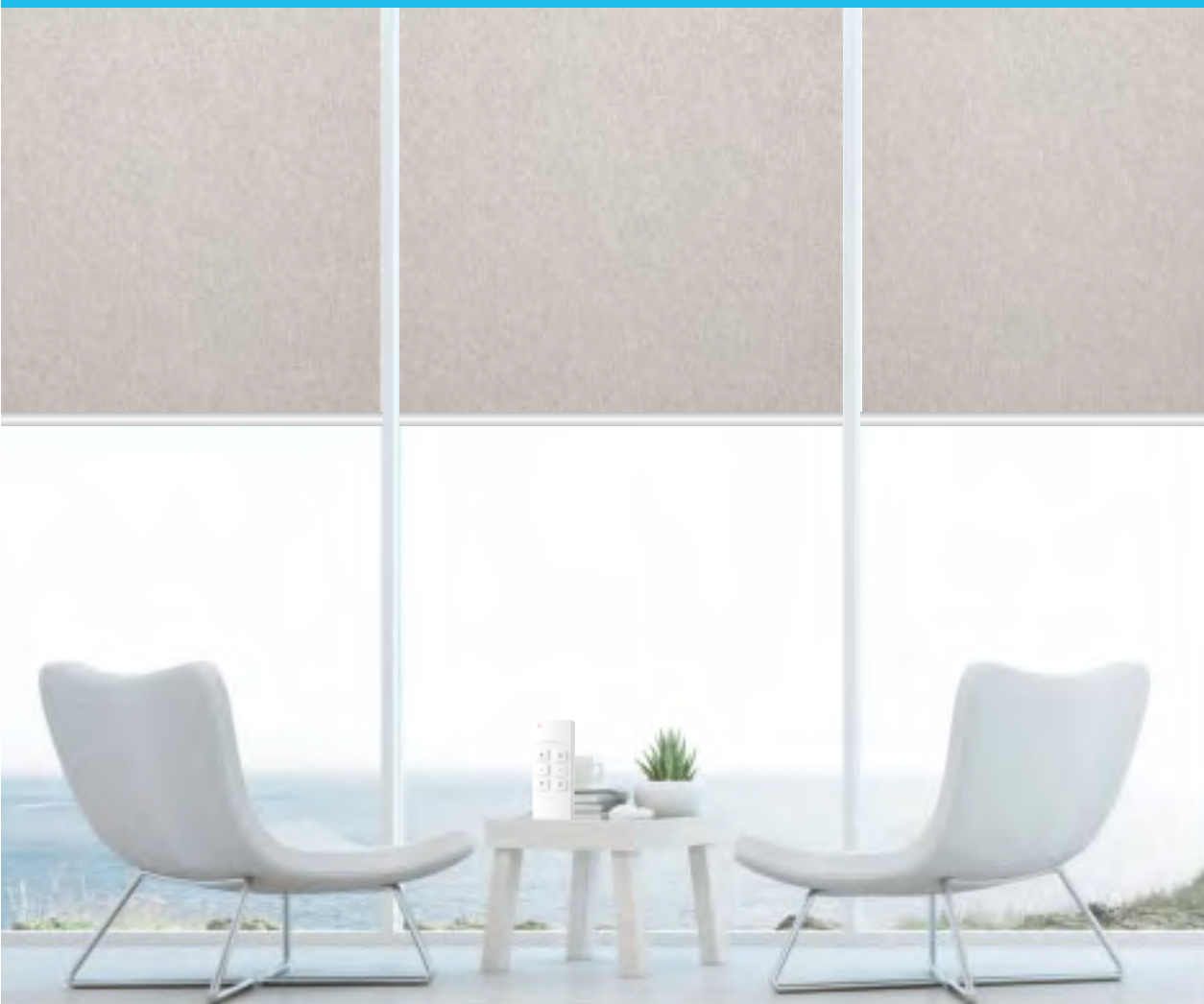
RE303

Specifications

Channels	4, 8, 16 1T, 4T
Frequency (MHz)	433.92
Codes	Rolling
Magnetic Wall Mount	Yes

With the 4, 8 & 16 channel remotes you can control 4, 8 or 16 different motors or receivers separately or any group among them.

The 1T & 4T are single and 4 channel variants, either of which can set up 8 different open/close times and also select days of the week.



RE301-LED

The RE301-LED controls the WSER50-50/13 LED Cassette Awning motors. This remote has on/off and dimming function for the LED's.



Specifications

Channels	1
Frequency (MHz)	433.92
Codes	Rolling
Magnetic Wall Mount	Yes
Battery Type	CR2032

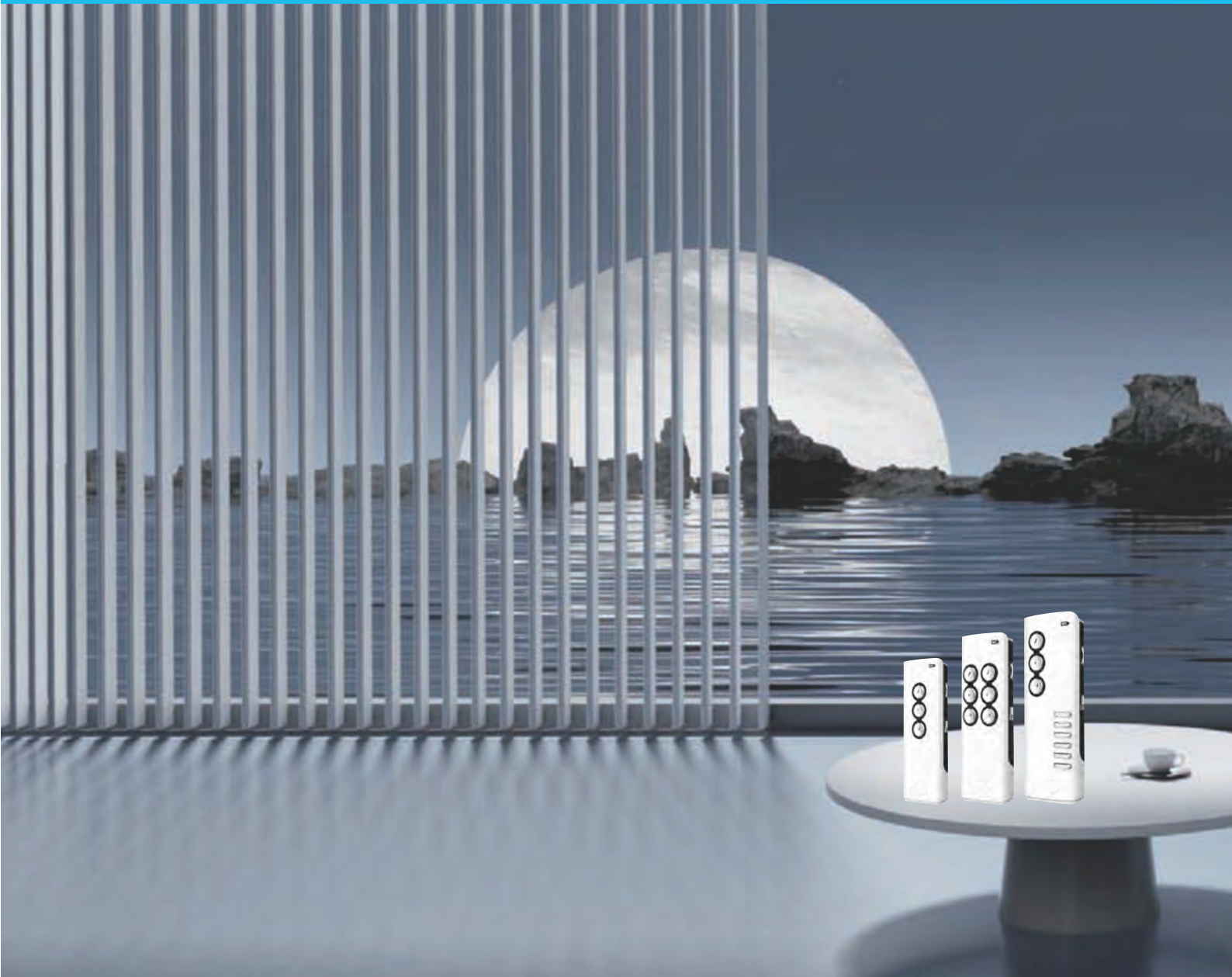
RE306A

The RE306A is 2 channel remote with separate button sets for each channel for super simplicity.



Specifications

Channels	2
Frequency (MHz)	433.92
Codes	Rolling
Magnetic Wall Mount	Yes
Battery Type	CR2032



Alpha's Eclipse series remotes have adjustable speed control with the added convenience of a slide wheel to rotate the blade angle.

Suitable for vertical, cellular, honeycomb shades and small venetian blinds.



RE701V 1 channel remote **RE702V** 2 channel remote **RE703V** 6 channel remote

Introducing Alpha's Explorer range of remote controls.

Available in a single channel and a 1-16 channel version.
Unused channels can be deleted from the 16 channel version.

Single Channel



XE1101

Specifications

Channels	1
Frequency (MHz)	433.92
Codes	Rolling
Wall Mount	Yes
Battery Type	2xAAA

16 Channel



XE1103

Specifications

Channels	16
Frequency (MHz)	433.92
Codes	Rolling
Wall Mount	Yes
Battery Type	2xAAA

COMING SOON



This series of controllers are surface mounted and designed to suit Decorator wall plates.

(Decorator wall plate not included)



Single channel

(Decorator wall plate not included)



4 channel
wall mount remote
with 25%, 50% and 75%
between limit selection

(Decorator wall plate not included)

RE601-i-PLUS

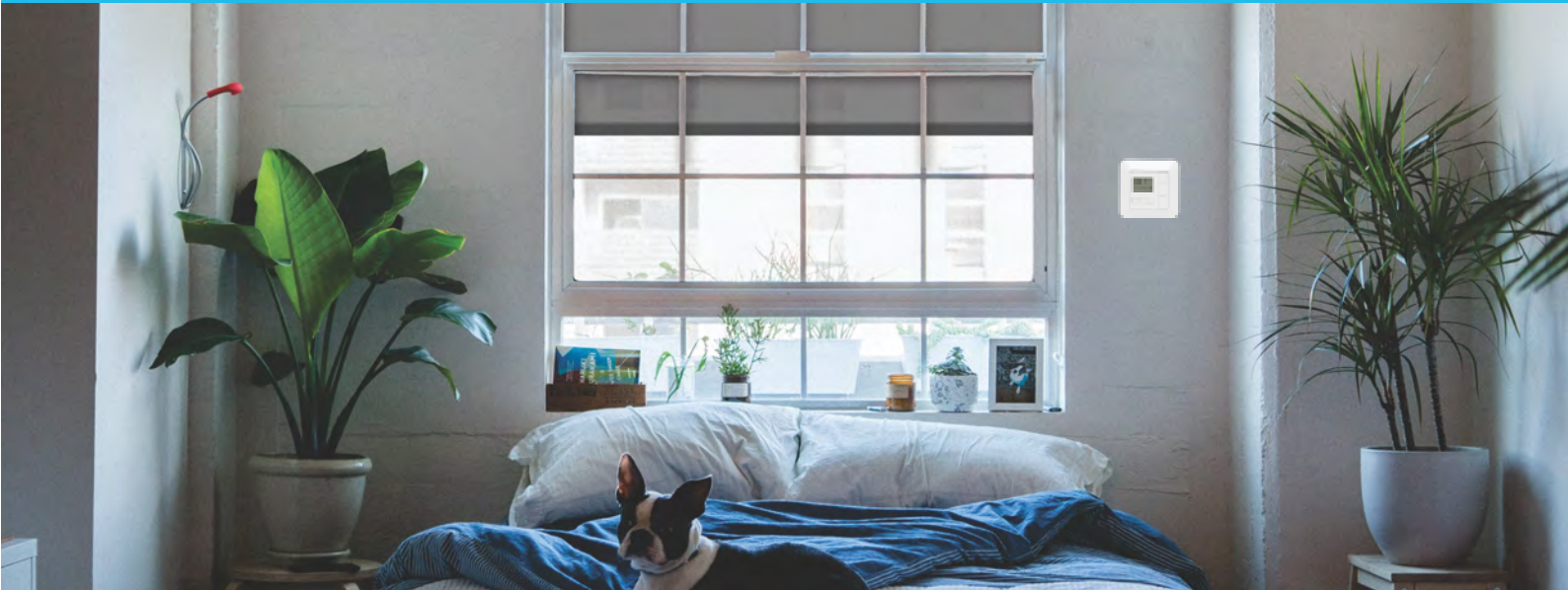
Specifications

Channels	1
Frequency (MHz)	433.92
Codes	Rolling
Wall Mount	Decora

RE602-i-PLUS

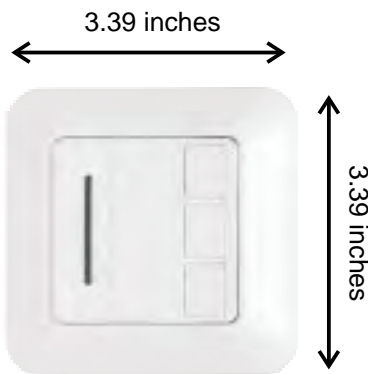
Specifications

Channels	4
Frequency (MHz)	433.92
Codes	Rolling
Wall Mount	Decora



RE201

ideal control
for drapery
systems

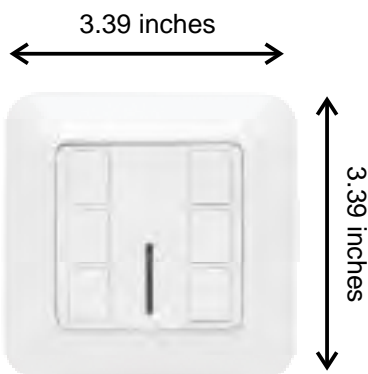


Specifications

Channels	1
Frequency (MHz)	433.92
Codes	Rolling
Wall Mount	Yes

RE202

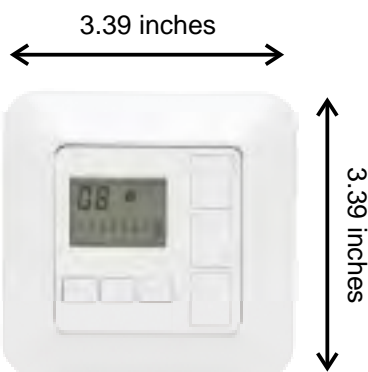
ideal control
for dual shade
control



Specifications

Channels	2
Frequency (MHz)	433.92
Codes	Rolling
Wall Mount	Yes

RE203-8C



Specifications

Channels	8
Frequency (MHz)	433.92
Codes	Rolling
Wall Mount	Yes



The Alpha wireless touch panel keypad remote is easy to install, relocate and operate. Fully integrates with smart home software.

Comes with a waterproof cover and LED backlit feature installed and ready to use.

Key Features

- Touch panel keypad
- 1 channel
- Waterproof cover
- Anti-spying mode
- 328 foot range
- Lightweight
- Easy to mount
- Can store 11 passcodes
- 4 AA batteries are required.

Visit alphamotors.us
for manual instructions

KEYPAD

Specifications

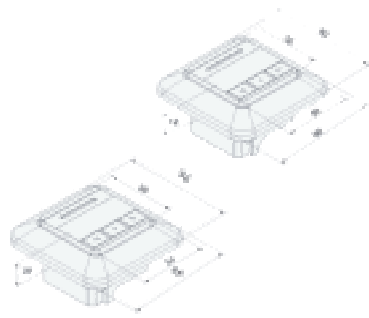
Frequency (MHz)	433.92
Codes	Customized Rolling
Protection Index	IP55
Power	DC 4x AA batteries
Working Temp (F)	14 - 140 deg
Range (yards)	109.4
Dimensions (in)	3.6x4.8x3.3
Weight (lbs)	0.95

Product Certificates



Receivers

RC201

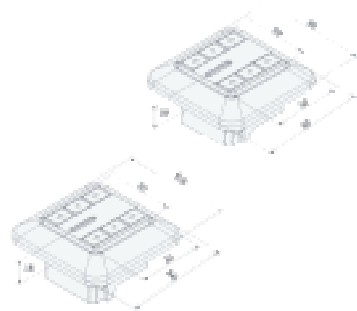


Specifications

Channels	up to 3 units
Frequency (MHz)	433.92
Codes	Rolling
Receiver Power	400W
Voltage	230V 50Hz

Able to operate with a maximum of 15 remotes

RC202



Specifications

Channels	2 units
Frequency (MHz)	433.92
Codes	Rolling
Receiver Power	600W
Voltage	230V 50Hz

Able to operate with a maximum of 15 remotes

RC006



Specifications

Connections for motors	
Frequency (MHz)	433.92
Codes	Rolling
Voltage	120V 60Hz

Able to operate with a maximum of 15 remotes

RC007

perfect control
option for
garage doors
with photo-eye
option



Specifications

Connections for motors	1
Frequency (MHz)	433.92
Codes	Rolling
Voltage	120V 60Hz

Wall mount receiver for high capacity motors with up to 1600 watts current draw. Suitable for all Alpha 4 core motors. Has the option of lighting control with up to 500 watts output. Can be used with up to 15 remote controls.

Curtain Motor Transmitters



RE204



To be used with
curtain motor.
Transmit up to 328 feet
3.5x3.5x0.7 inches

Specifications

Channels	Single Channel
Frequency (MHz)	433.92
Codes	Rolling
Power Supply	1x 3V CR2032
Wall Mounted	yes

Able to operate with a maximum of 15 remotes

RE206



To be used with
curtain motor.
Transmit up to 262 feet
3.5x3.5x0.7 inches

Specifications

Channels	Double Channel
Frequency (MHz)	433.92
Codes	Rolling
Power Supply	1x 3V CR2032
Wall Mounted	yes

Able to operate with a maximum of 15 remotes

**AUTOMATION
SYSTEM CONTROL
OF REMOTE
CONTROL
MOTORS**



This device is a single channel remote control that plugs into a power point for permanent power and is controlled by connecting the device to relays in a control system or other switches. There are 4 wires connected this item: common, up, stop, and down. When the common wire comes into contact with any of the control wires, the function for that wire will be sent out to any WSER series motors or remote receivers this device is assigned to.

This device allows remote control Alpha motors to be operated by a huge variety of building management systems, automation equipment, press buttons or key turn switches as well as a remote control. This device is not practical for use in setting up the motors it will control. This must be done with a standard remote and the RE-DCE can be assigned to the motor separately for additional control options.

When planning your job with this item, only allow for connection to relays or switches that make contact as long as a button or switch is pressed and release automatically afterwards. Do not use rotary switches or switches that lock into position as the item will continue to send out the signal for as long as contact is made. This could produce unwanted results.

RE-DCE

Specifications

Channels	1
Frequency (MHz)	433.92
Codes	Rolling
Wall Mount	Yes
Voltage	120V 60Hz

Product Certificates



RS005 Motion Sensor

for retractable awnings

Available in black or white



This item attaches to the front channel of a retractable awning at either end. It measures the angle of the front bar and the amount of movement created by wind. When the sensitivity setting is reached, it sends a signal to the awning to close.

When used with a retractable awning motor, it will send a pulse to the motor a few times an hour telling the motor it's there and working. If the motor stops detecting this pulse due to drained batteries or failure, it will automatically retract the awning after about half an hour to both protect the awning and to alert the owner that the motion sensor is not working. Once the pulse is restored (usually by installing new batteries) normal operation will resume.



Although this item will control a Universal motor, the Universal motor does not have the extra protective functions mentioned above if the item stops sending the pulse. The motion sensor is a more reliable method of protection than the Sun/Wind sensors as it responds to actual physical movement of the front bar and not the wind speed detected by a device mounted nearby.

This unit has 9 pre-determined sensitivity settings.

Cannot be used in conjunction with Sun/Wind Sensors.

RS005W (white)

RS005B (black)

Specifications

Frequency (MHz)	433.92
Codes	Rolling
Protection Index	IP44
Power	2x AAA Batteries

Product Certificates



Solar Sun and Wind Sensors

wired & wireless

These devices cannot be used in conjunction with Motion Sensors

RS001

Solar wind & sun sensor

The RS001 cannot be used in conjunction with Motion Sensors

Specifications

Frequency (MHz)	433.92
Codes	Rolling
Protection Index	IP44
Display	LED
Power	Solar Panel & Rechargeable Battery

- Programmable with 5 wind speed and 9 light intensity settings
- Usable as sun and wind sensor where wind overrides sun
- Sun sensor can be disabled if required
- For use with WSER Series motors



RS102

Internal sun sensor

Specifications

Frequency (MHz)	433.92
Codes	Rolling
Protection Index	IP44
Display	LED
Power	3V Lithium Battery (CR2032)

- 3 fixed and 1 user setting.
- Includes timer functions that allow 8 up and down timed operations.



Accessories



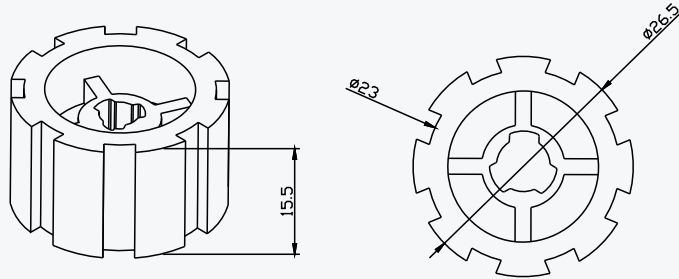
alpha

Crown & Drive Adapters

*Measurements listed are in millimeters

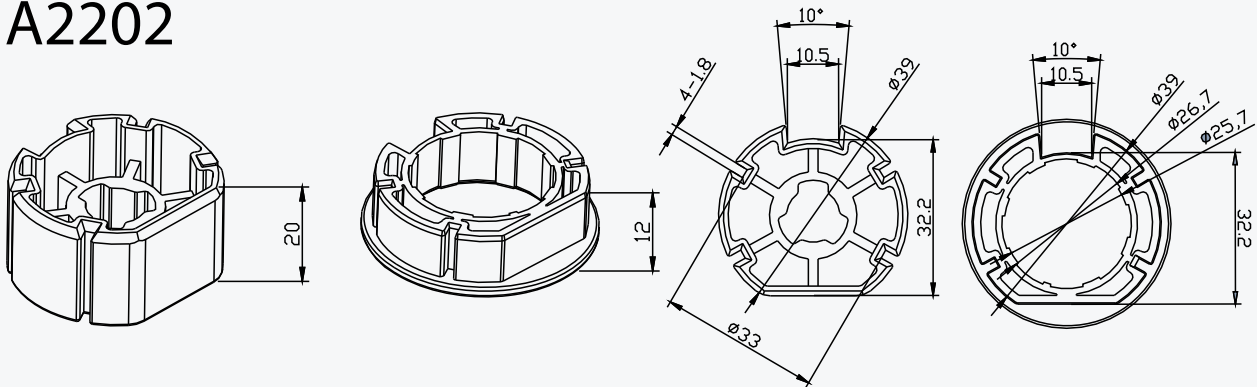
25mm MOTOR DRIVE ADAPTER SETS

A2201

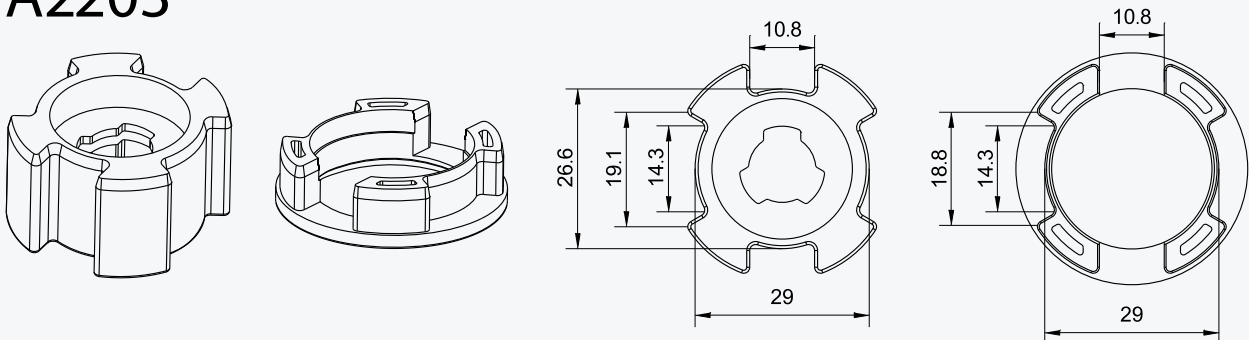


No crown required

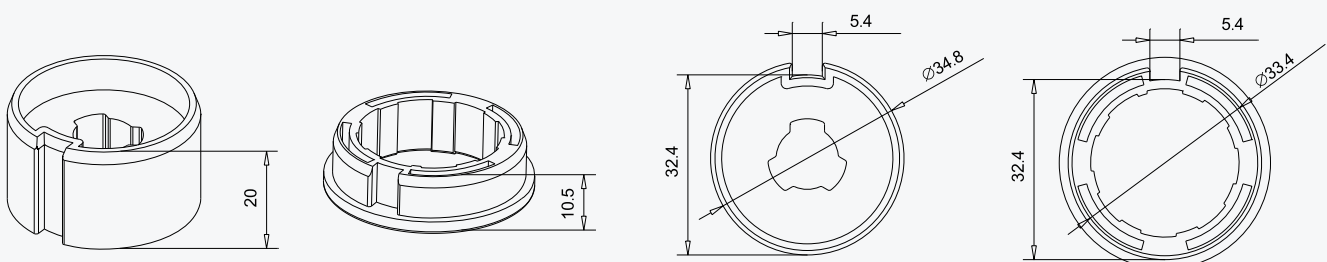
A2202



A2203



A2204

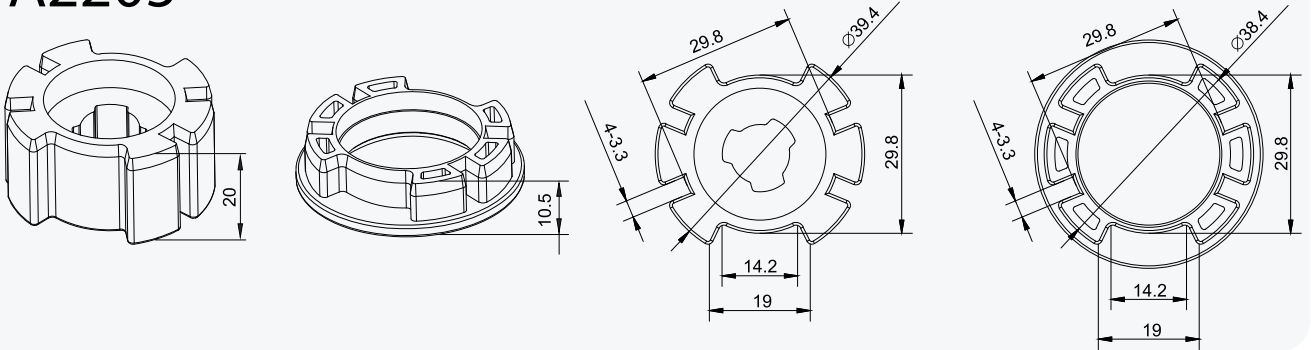


Crown & Drive Adapters

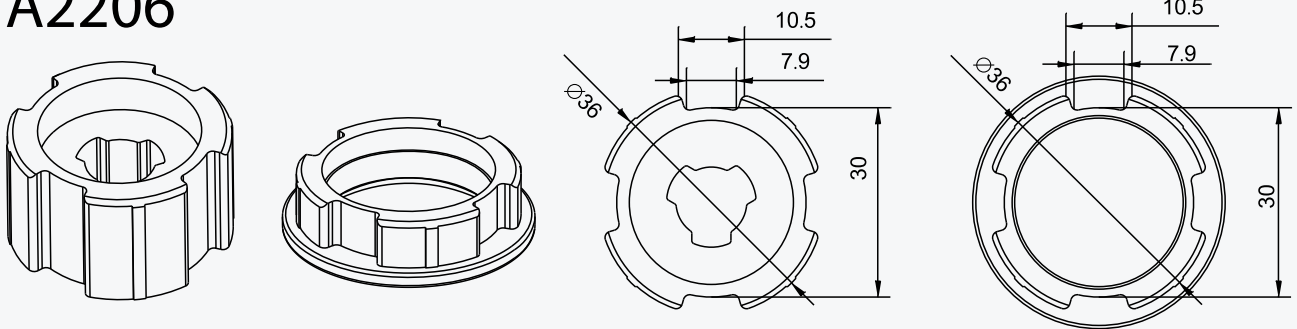
*Measurements listed are in millimeters

25mm MOTOR DRIVE ADAPTER SETS

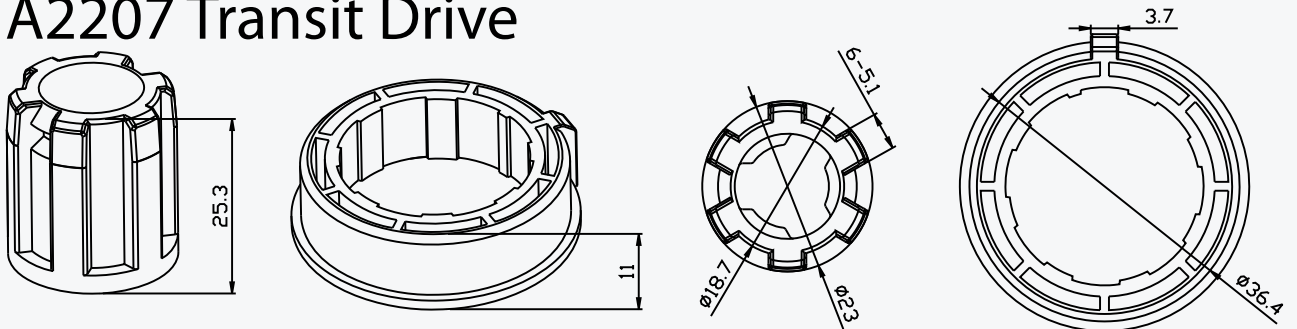
A2205



A2206

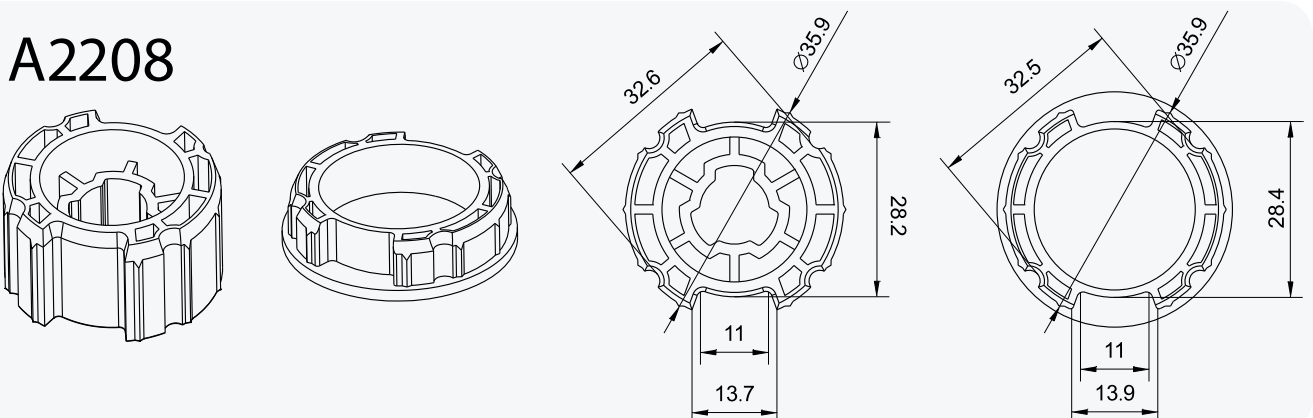


A2207 Transit Drive



These are adapters to allow connection of our 35mm motor fittings onto a 25mm motor.

A2208

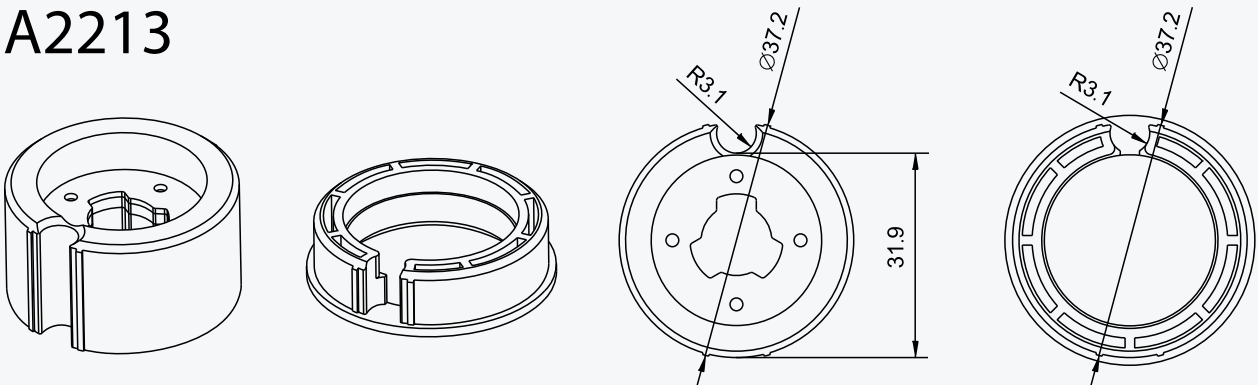


Crown & Drive Adapters

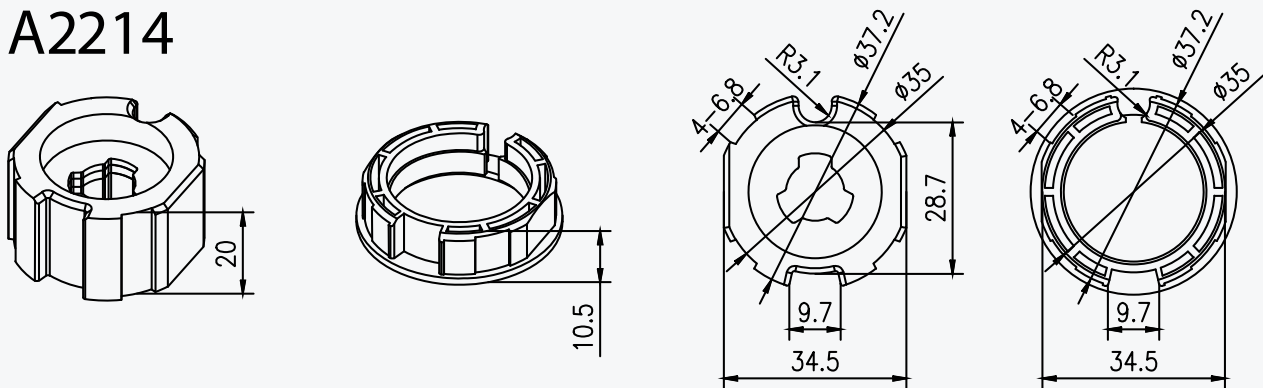
*Measurements listed are in millimeters

25mm MOTOR DRIVE ADAPTER SETS

A2213

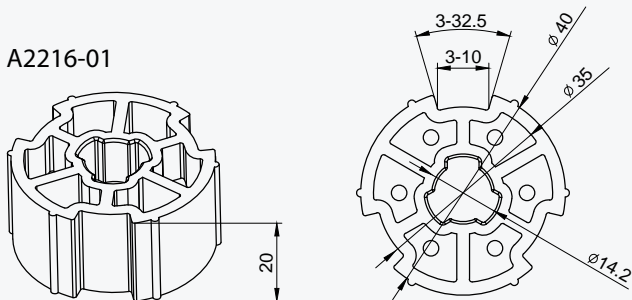


A2214

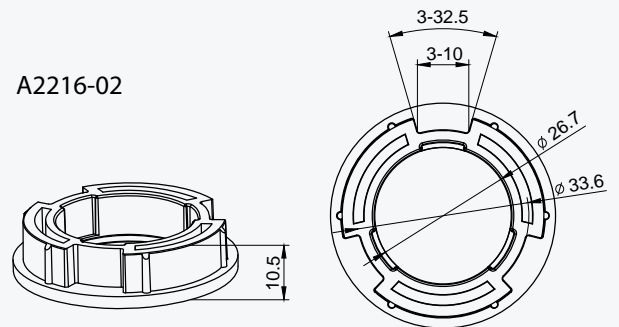


A2216

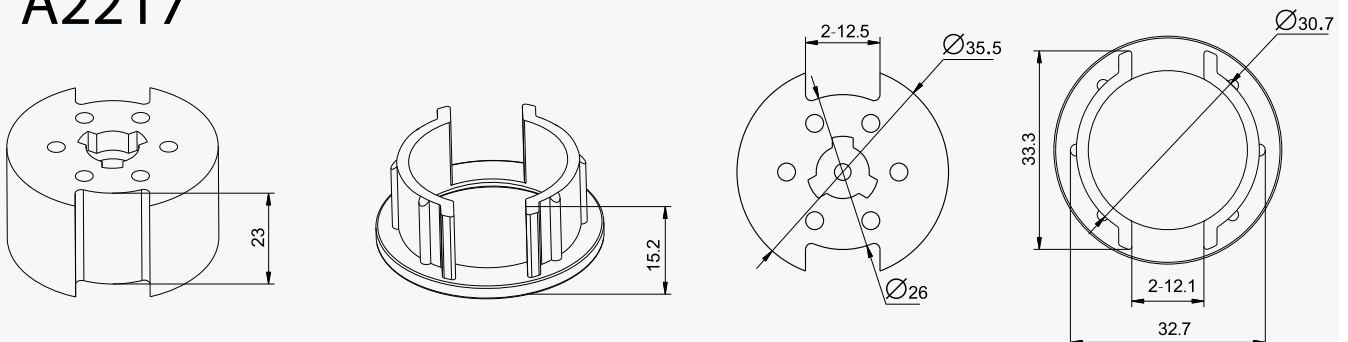
A2216-01



A2216-02



A2217

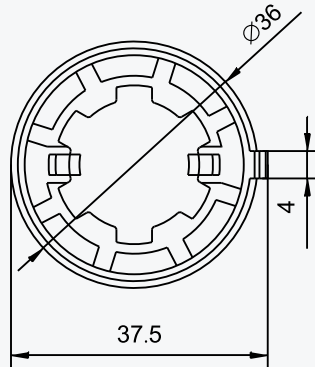
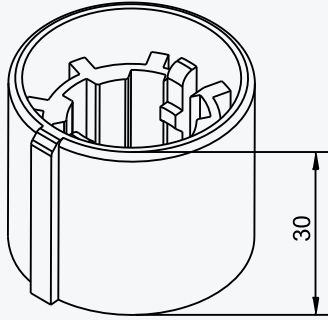


Crown & Drive Adapters

*Measurements listed are in millimeters

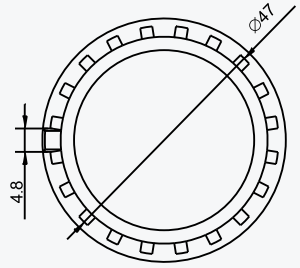
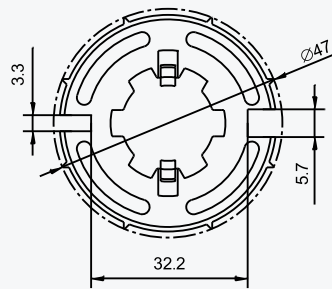
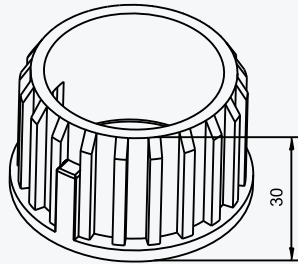
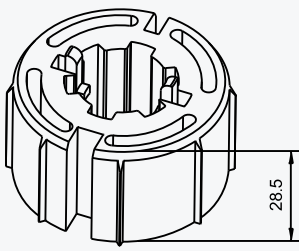
35mm MOTOR DRIVE ADAPTER SETS

A2305

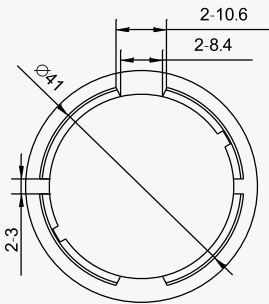
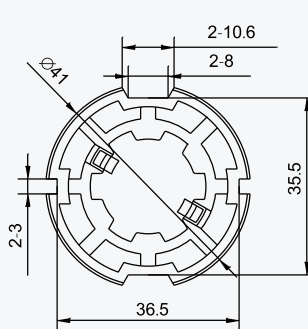
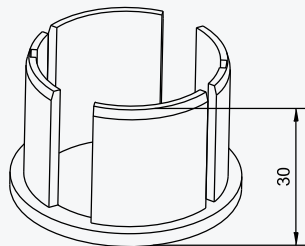
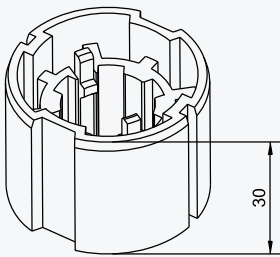


No crown required

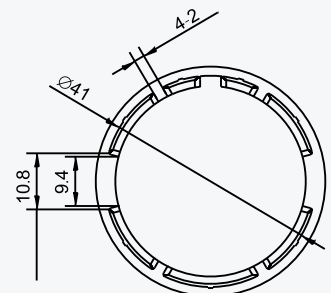
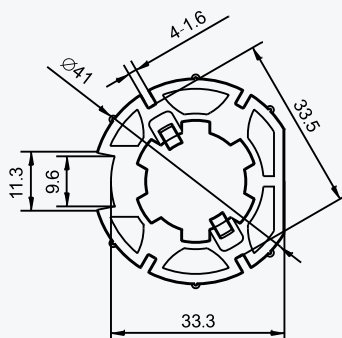
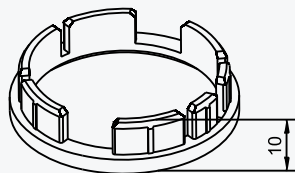
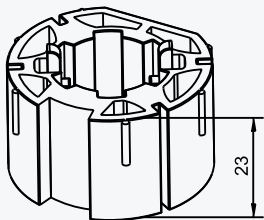
A2307



A2308



A2310

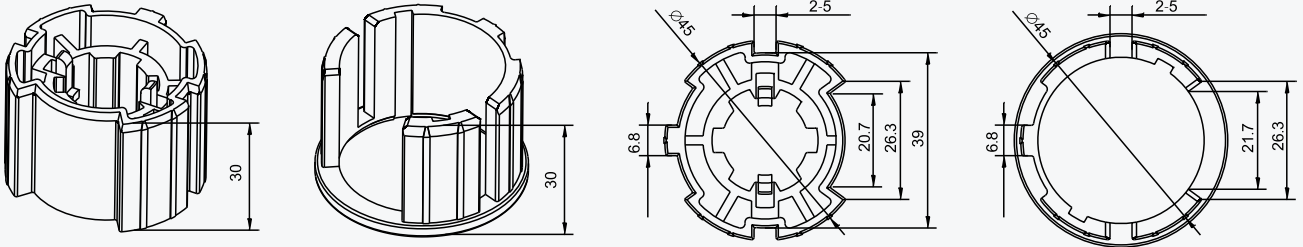


Crown & Drive Adapters

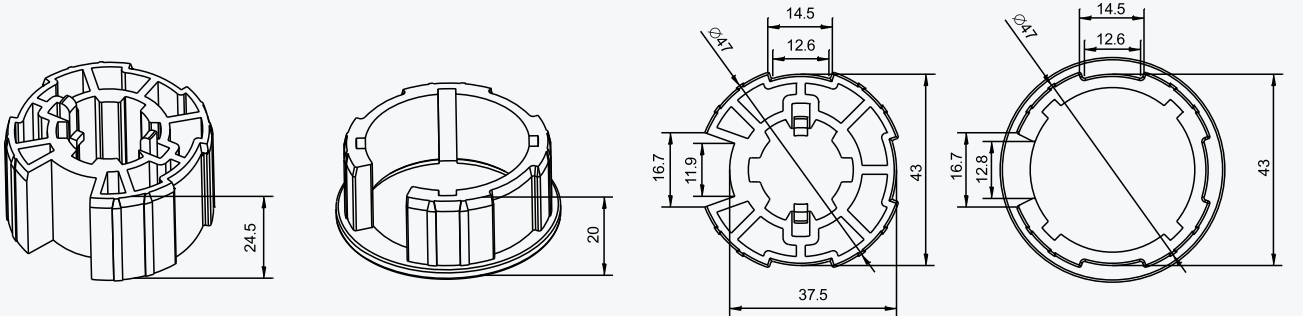
*Measurements listed are in millimeters

35mm MOTOR DRIVE ADAPTER SETS

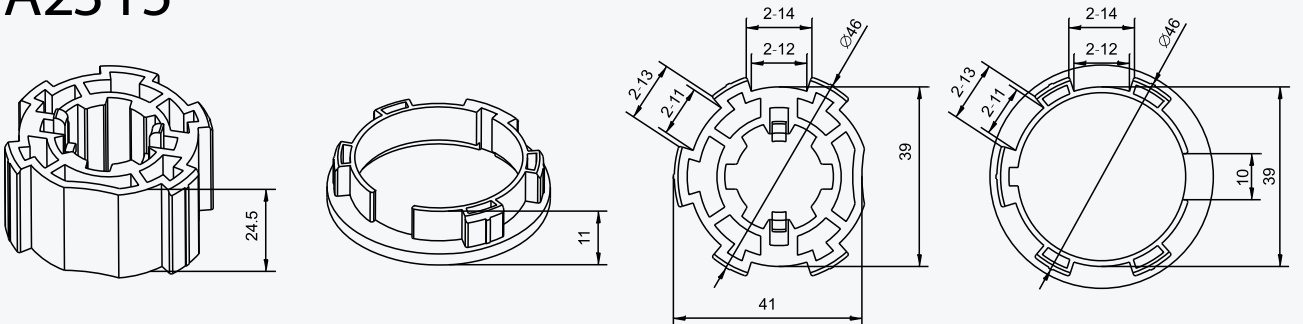
A2313



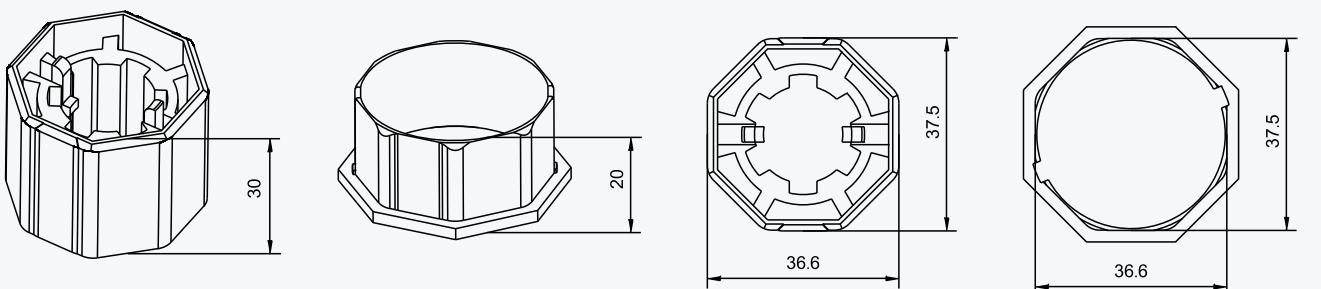
A2314



A2315



A2320

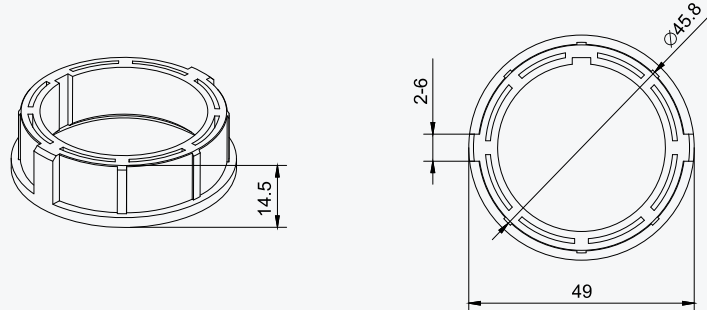


Crown & Drive Adapters

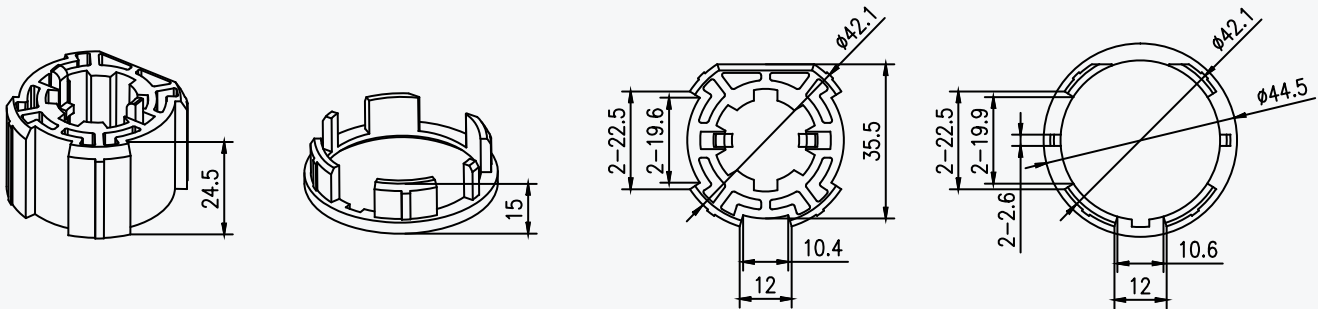
*Measurements listed are in millimeters

35mm MOTOR DRIVE ADAPTER SETS

A2324 and Aluminum transit drive

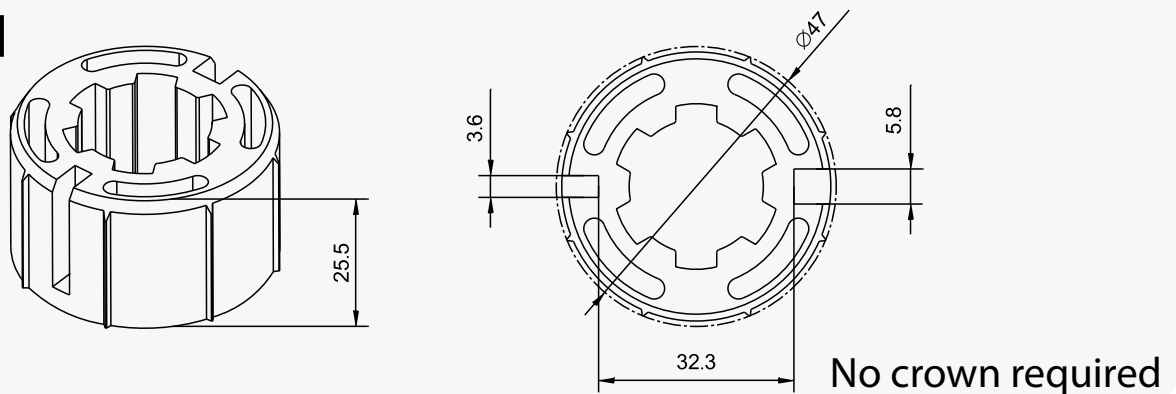


A2334

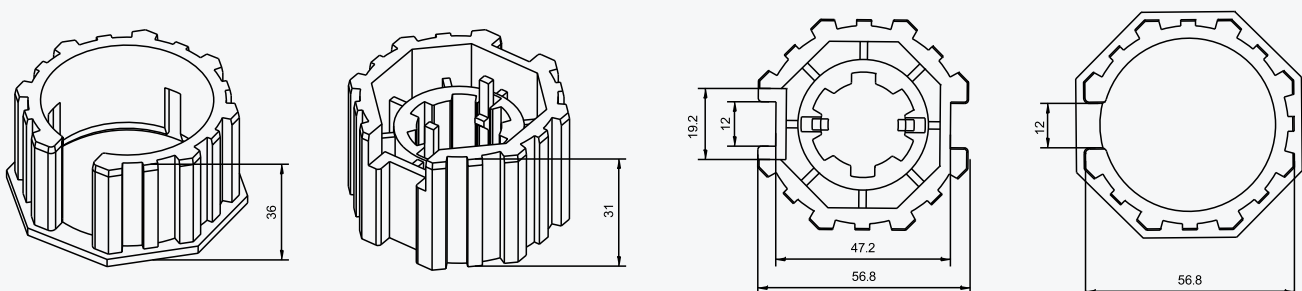


45mm MOTOR DRIVE ADAPTER SETS

A2401



A2404

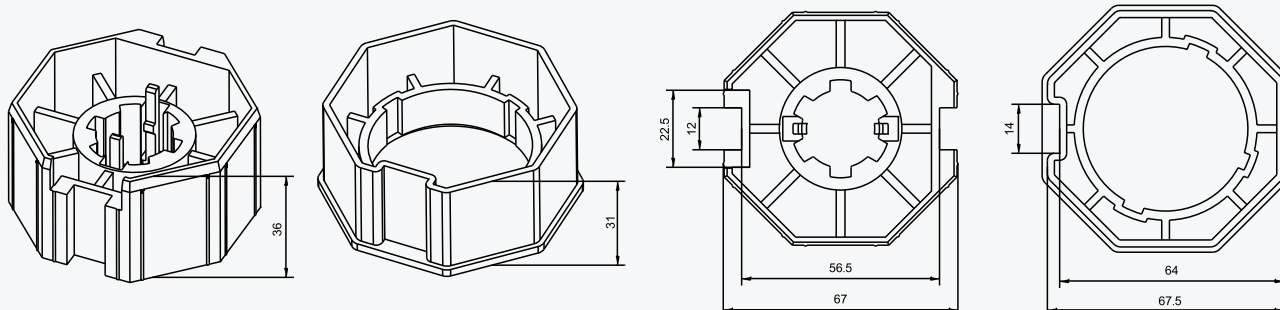


Crown & Drive Adapters

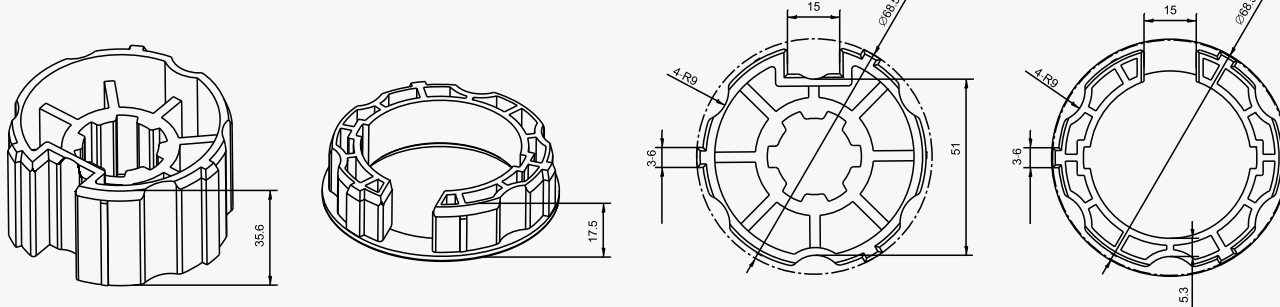
*Measurements listed are in millimeters

45mm MOTOR DRIVE ADAPTER SETS

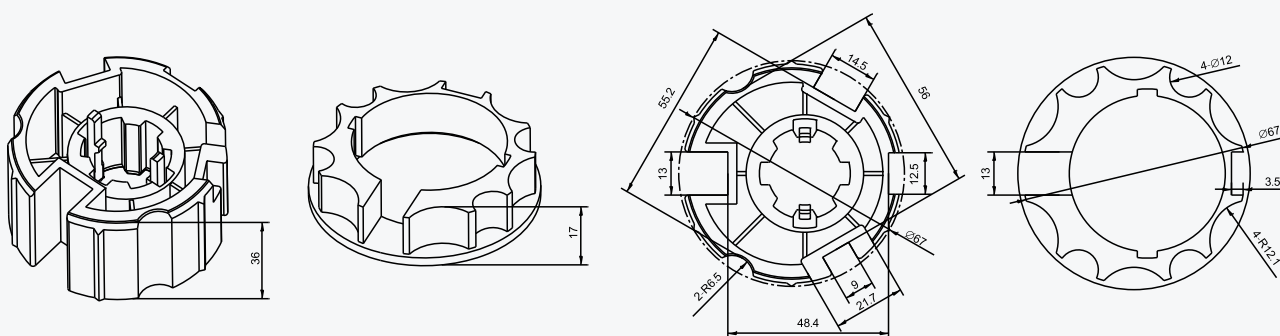
A2406



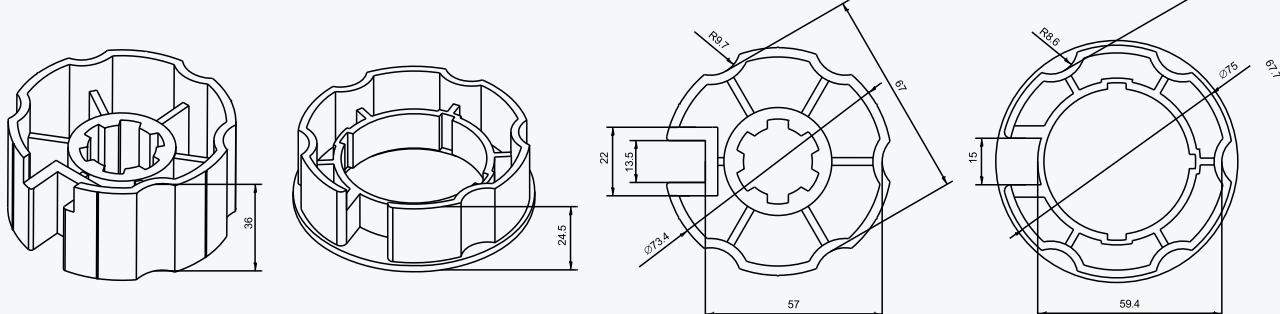
A2407



A2408



A2409

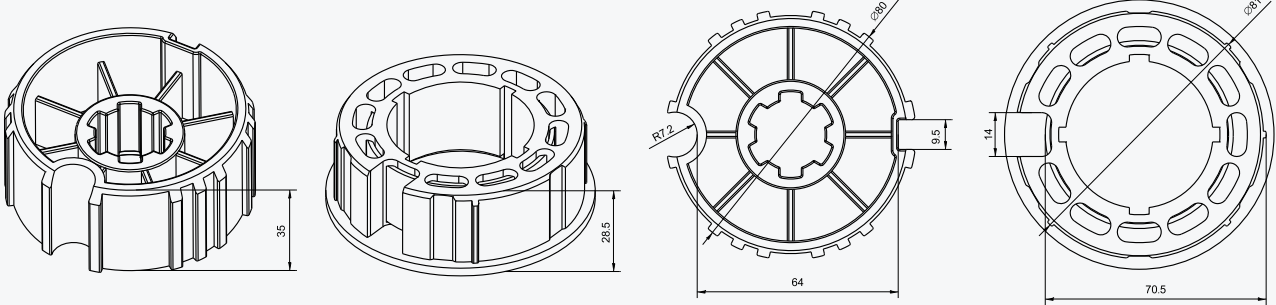


Crown & Drive Adapters

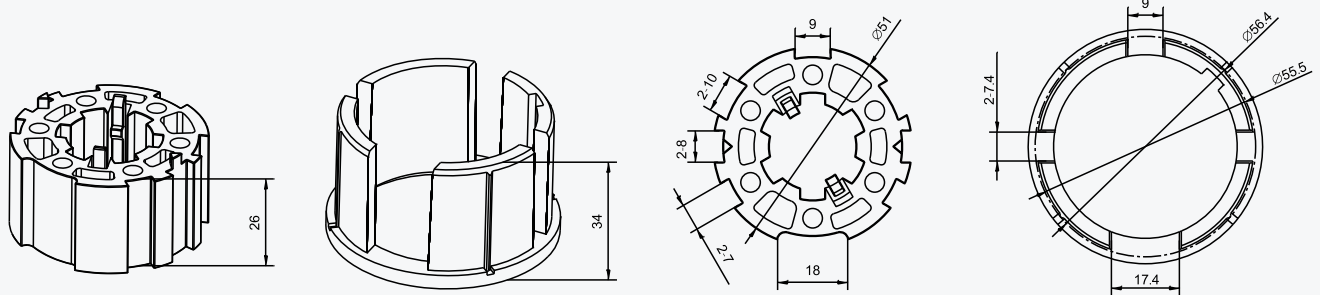
*Measurements listed are in millimeters

45mm MOTOR DRIVE ADAPTER SETS

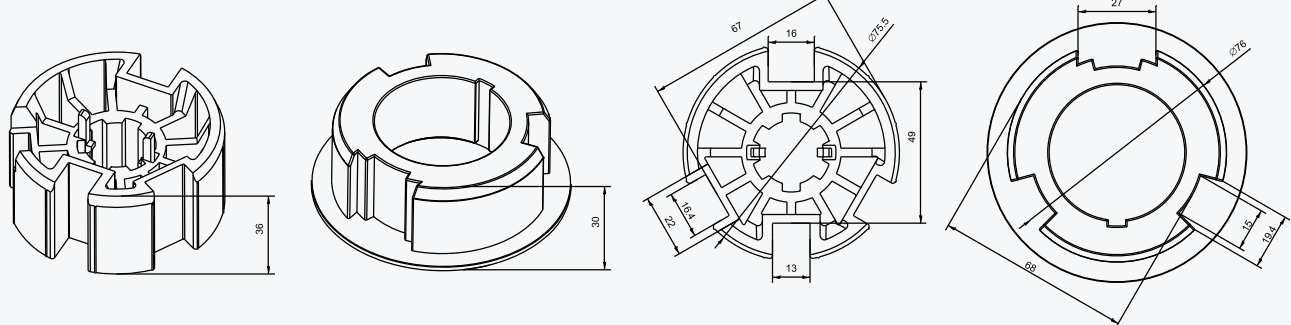
A2410



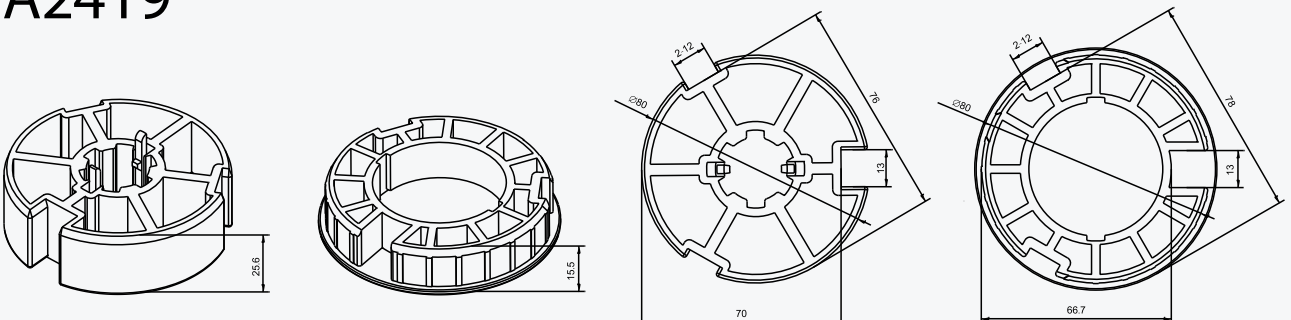
A2415



2417



A2419

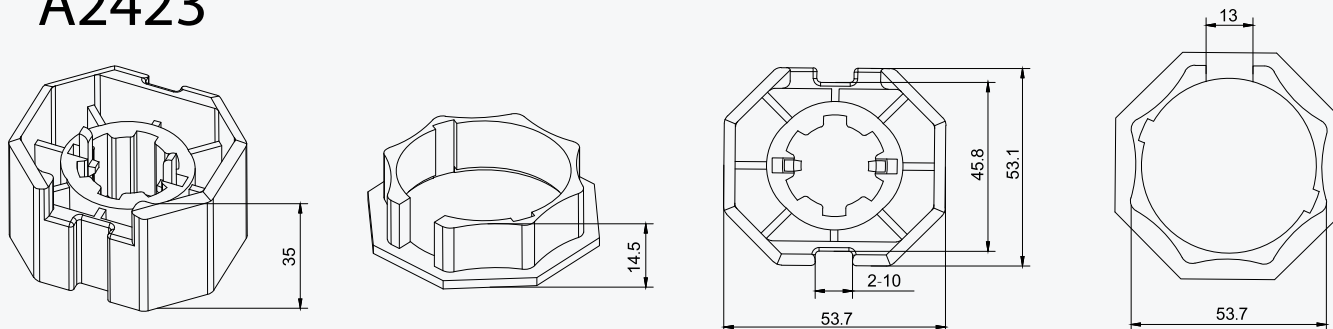


Crown & Drive Adapters

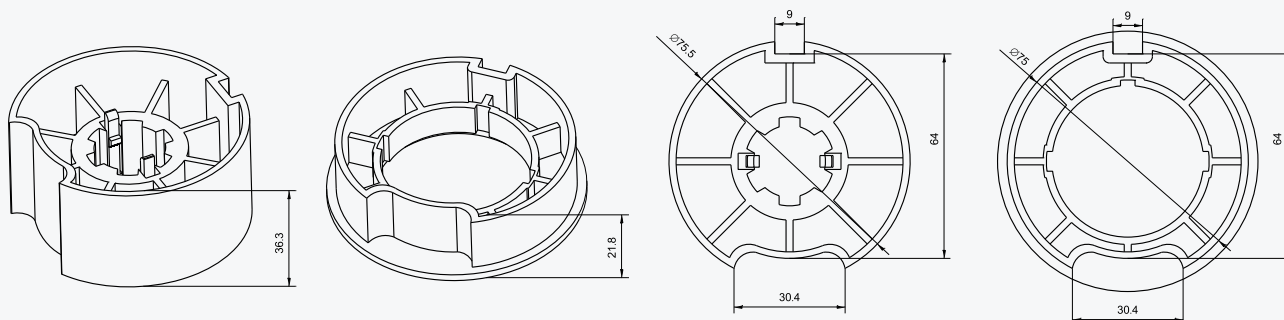
*Measurements listed are in millimeters

45mm MOTOR DRIVE ADAPTER SETS

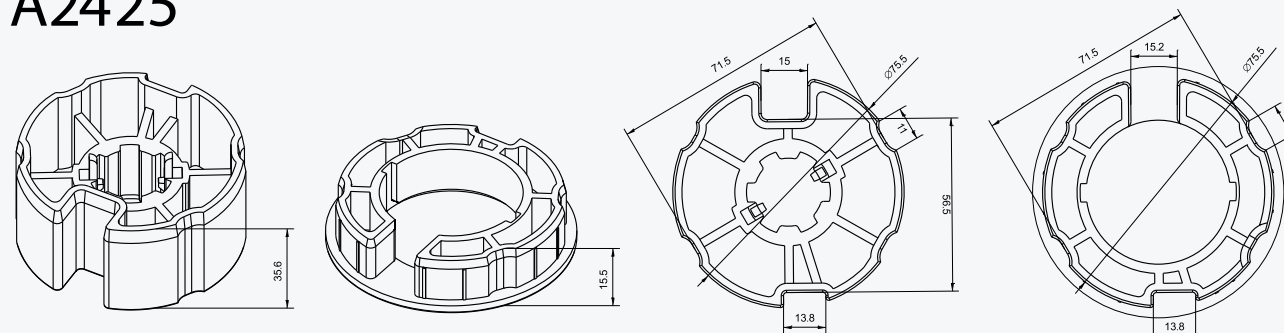
A2423



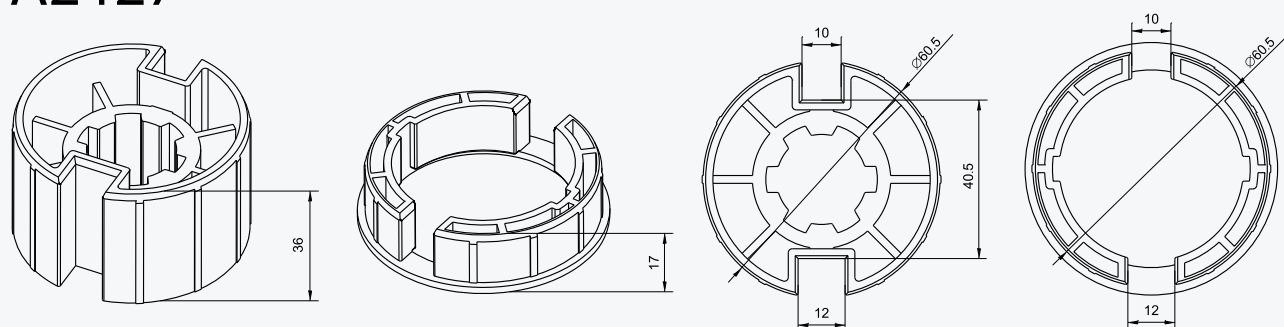
A2424



A2425



A2427

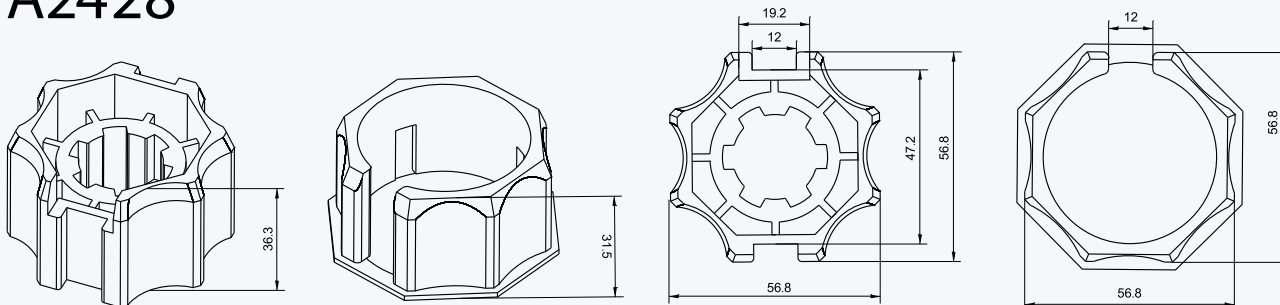


Crown & Drive Adapters

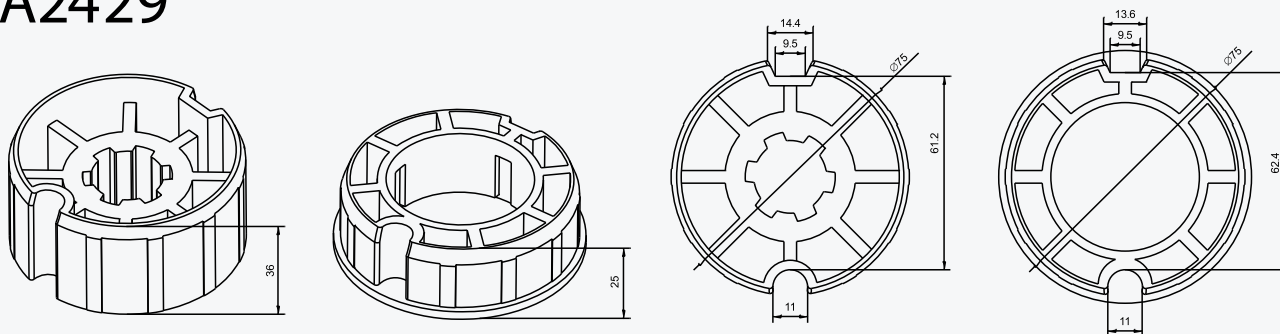
*Measurements listed are in millimeters

45mm MOTOR DRIVE ADAPTER SETS

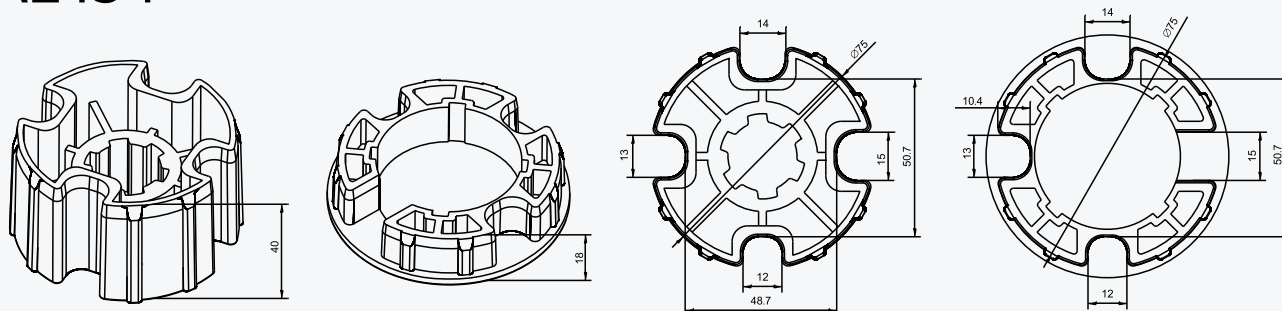
A2428



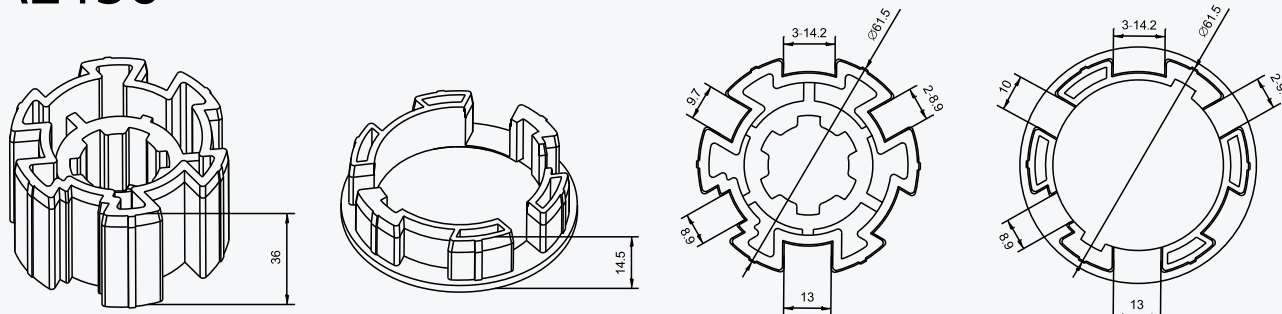
A2429



A2434



A2436

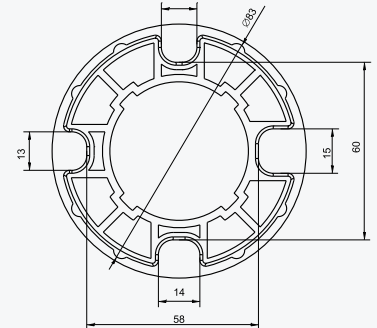
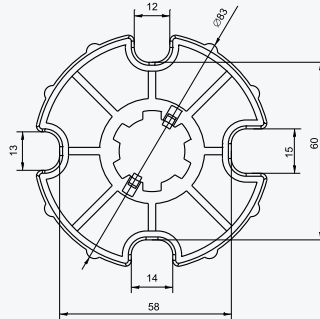
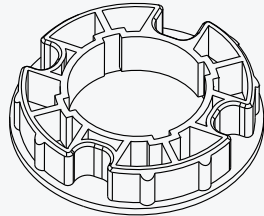
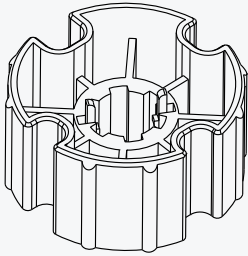


Crown & Drive Adapters

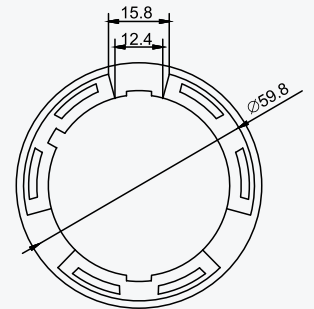
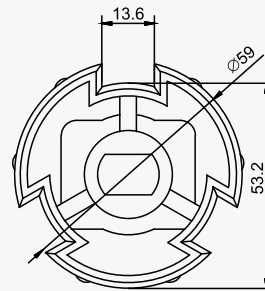
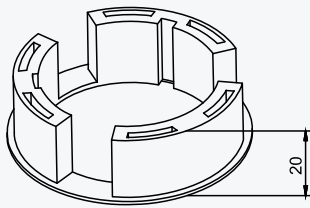
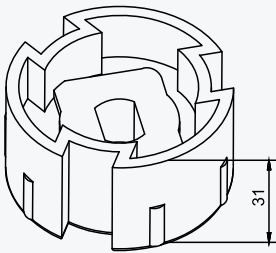
*Measurements listed are in millimeters

45mm MOTOR DRIVE ADAPTER SETS

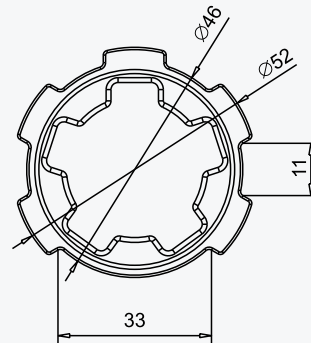
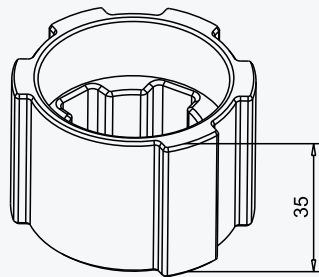
A2437



A2446

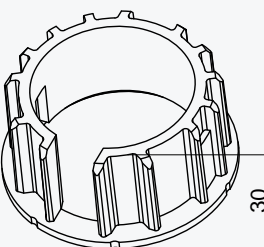
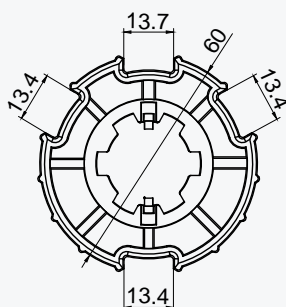
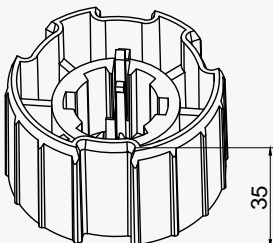


A2453

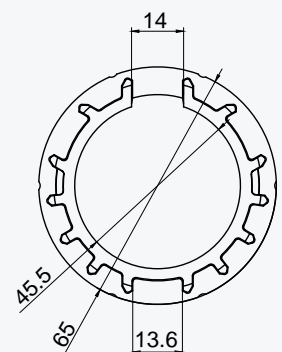


A2462

A2462-01



A2462-02

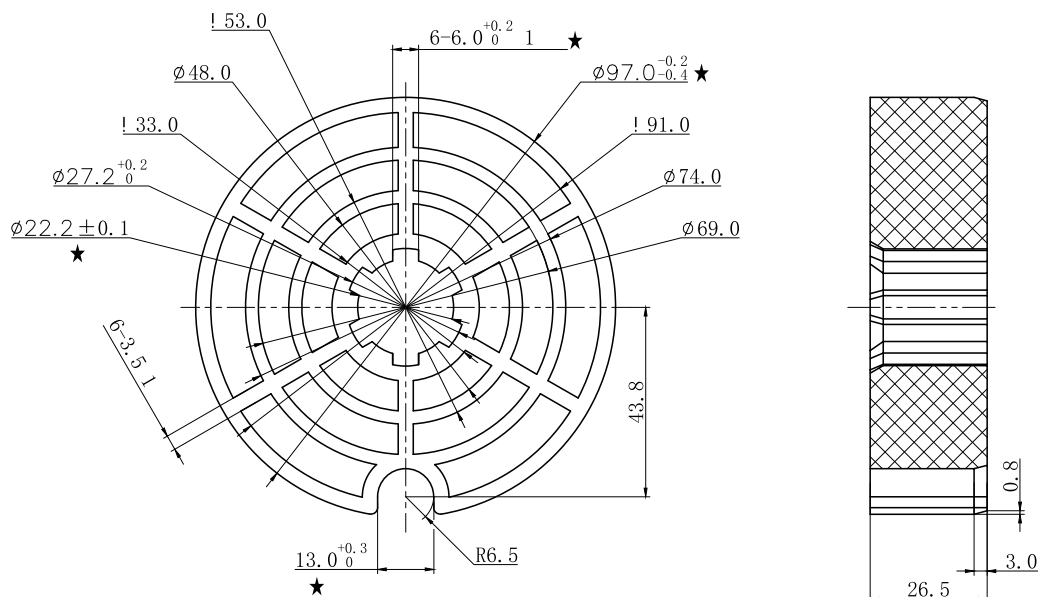
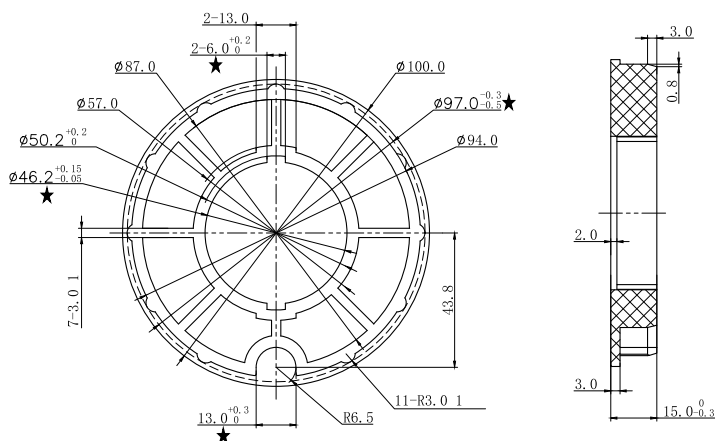
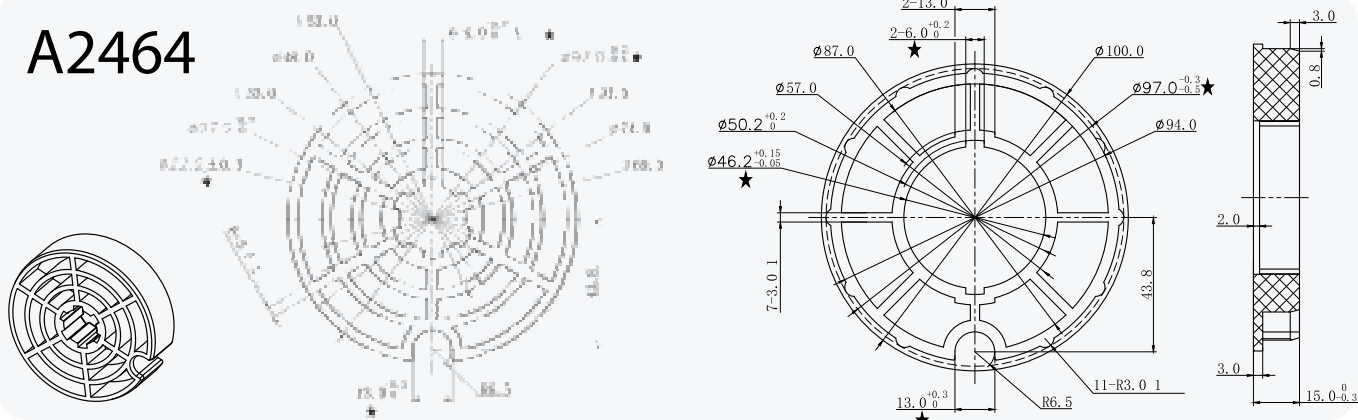


Crown & Drive Adapters

*Measurements listed are in millimeters

45mm MOTOR DRIVE ADAPTER SETS

A2464

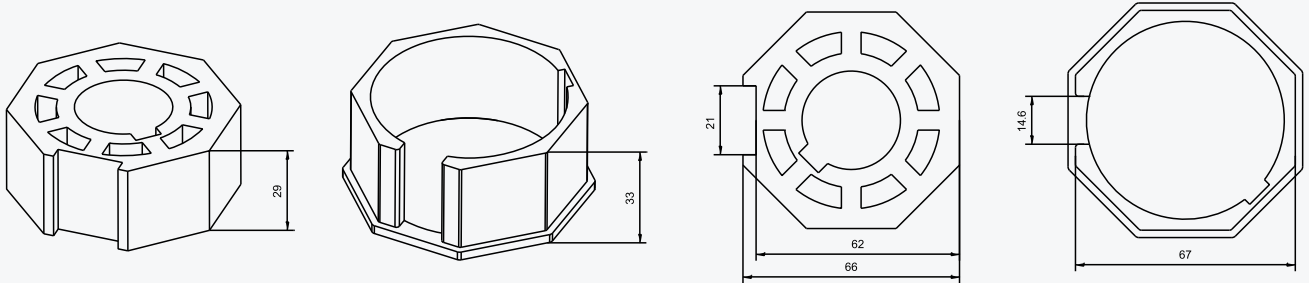


Crown & Drive Adapters

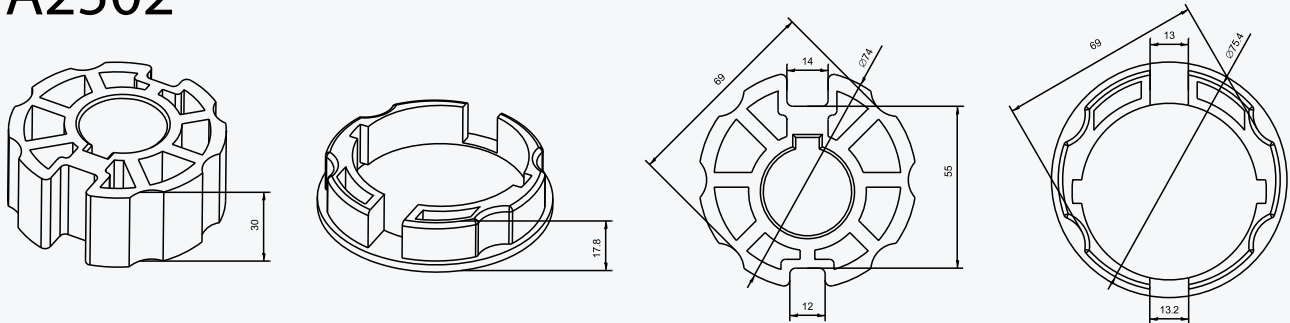
*Measurements listed are in millimeters

59mm MOTOR DRIVE ADAPTER SETS

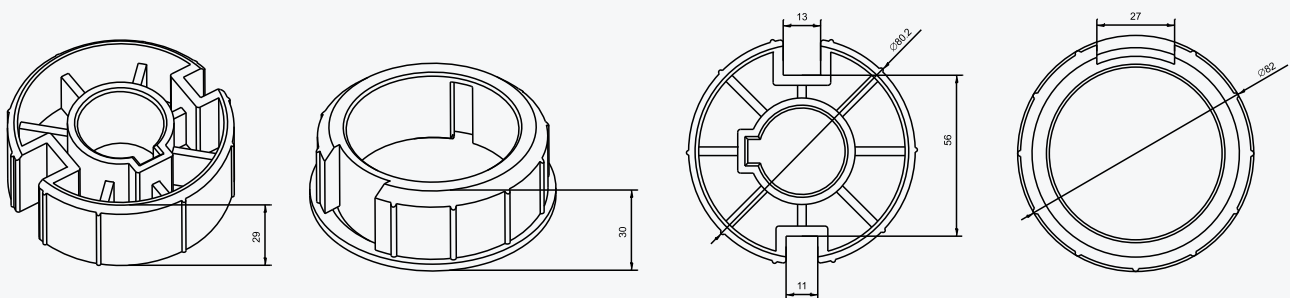
A2501



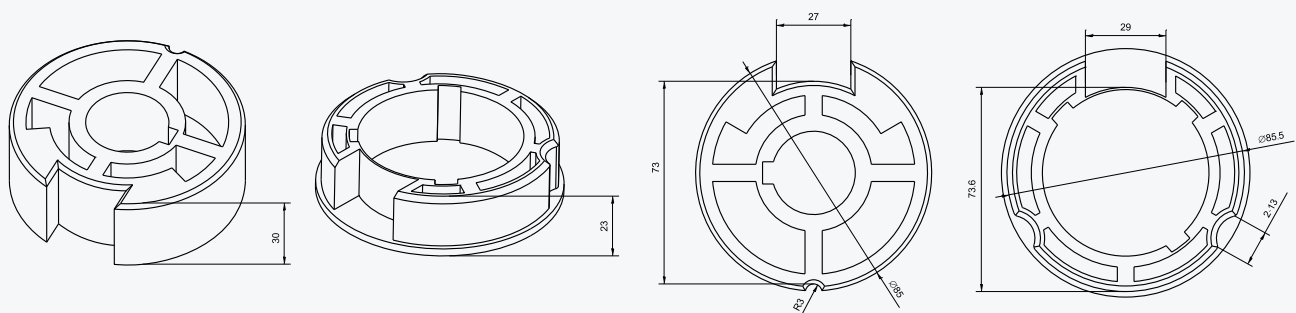
A2502



A2503



A2504

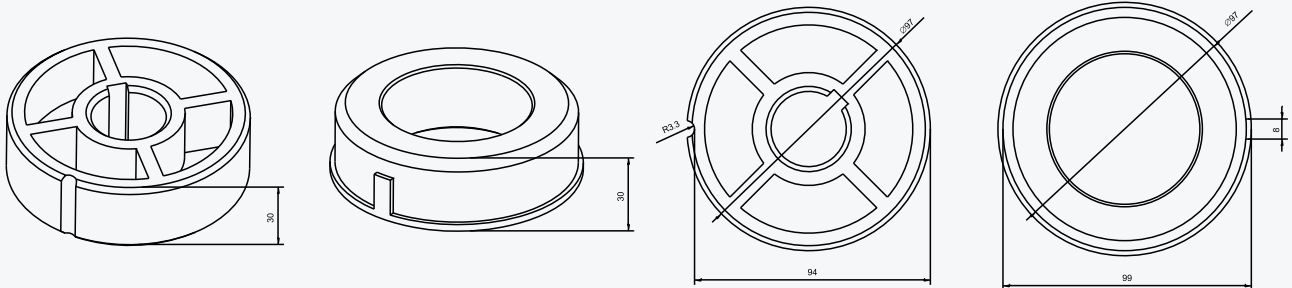


Crown & Drive Adapters

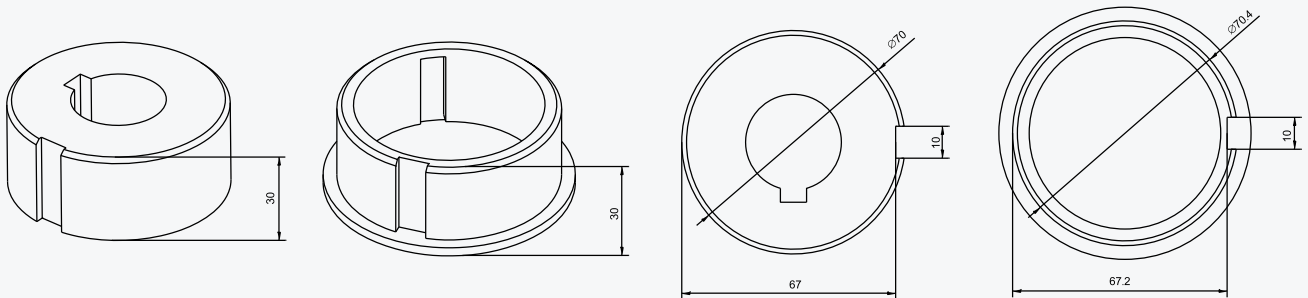
*Measurements listed are in millimeters

59mm MOTOR DRIVE ADAPTER SETS

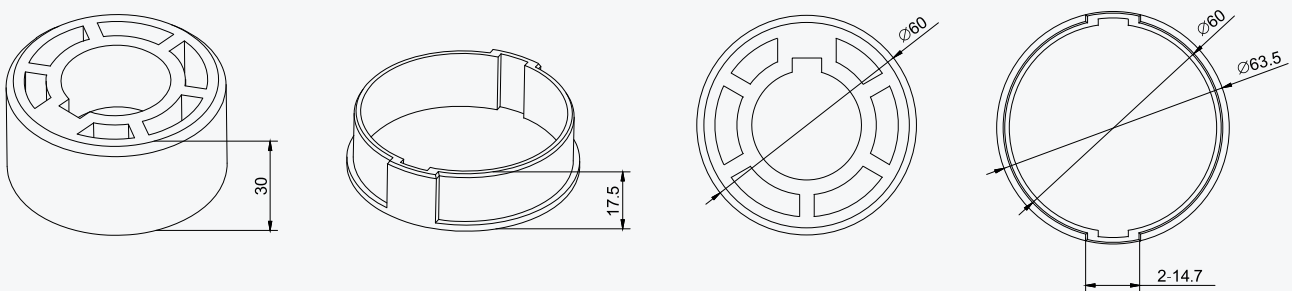
A2505



A2506



A2602



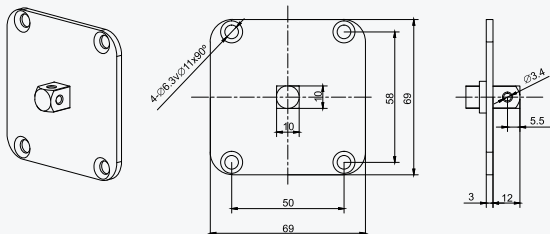
More to come! We are always adding new crowns and drives to our range. If you don't currently see a suitable fitting for your tube please contact our team to find out if there is a suitable variant available.

+1 (909) 307-2320

Brackets

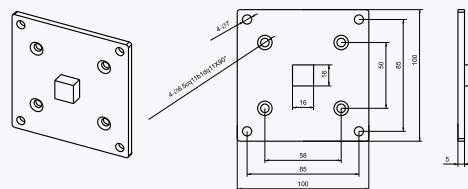
*Measurements listed are in millimeters

A3441



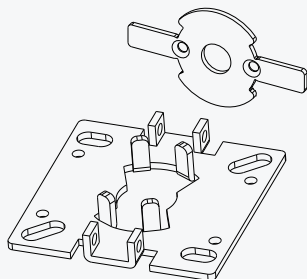
Manual override mounting plate

A3501



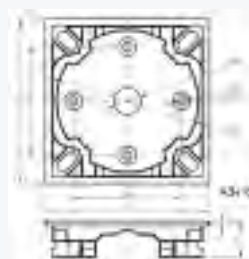
Mounting plate for 60mm manual override motors

A3044



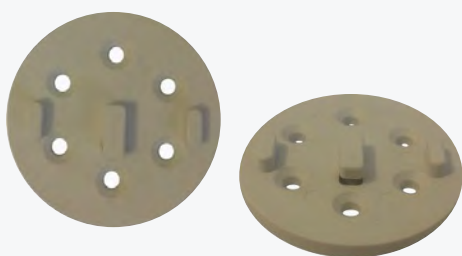
35mm motor plate

A3415



Fast Plug Adapter for 50mm motor plate

A3628



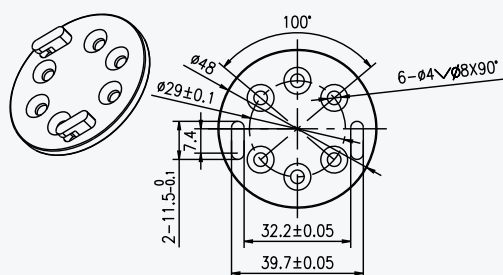
35mm motor plate

A3630



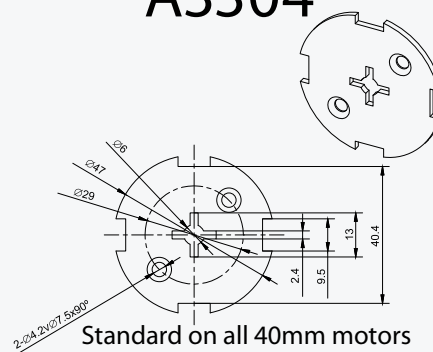
25mm + 35mm motor plate for Skyline brackets

A3207



35mm motor plate

A3304



Standard on all 40mm motors

Molex Cables, Limit Setting Device & Test Lead

Molex Cables

AM3CM



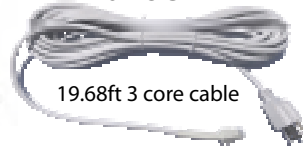
9.84ft 3 core cable

AM4CM



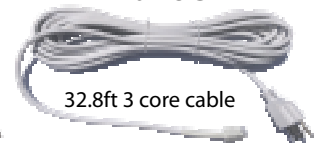
9.84ft 4 core cable

6M3CM



19.68ft 3 core cable

10M3CM



32.8ft 3 core cable

WSB11

Limit Setting Device



Specifications

Limit Setting Device Programming Tool

This device is for setting the limits on WSEC series motors. All buttons are spring loaded so use as a method of powering other motors temporarily while programming is impractical.

WSB12

Test Lead



Specifications

Test Lead

This item allows you run 4 core WSS series motors in either direction while you set limits. Alternatively you can use it as a temporary means of powering up 3 core remote control motors while you set limits. Switch is locking so it does not need to be held down.

Retractable Awning Motor Guide

Currently Alpha's Retractable Awning Motor offerings are a 50Nm and 100Nm motor. The RED 100Nm listings in the 70mm tube section below indicates that motor is incompatible with a 70mm tube, due to its physical size.

70MM TUBE (2.75 inch)

NUMBER OF ARMS

UP TO 5' PROJECTION
UP TO 6'6" PROJECTION
UP TO 8' PROJECTION
UP TO 10' PROJECTION
UP TO 11'6" PROJECTION
UP TO 13' PROJECTION

2 ARMS

30Nm
30Nm
30Nm
50Nm
50Nm
50Nm

3 ARMS

30Nm
50Nm
50Nm
50Nm
100Nm
100Nm

4 ARMS

50Nm
50Nm
100Nm
100Nm
100Nm
100Nm

78MM TUBE (3.07 inch)

NUMBER OF ARMS

UP TO 5' PROJECTION
UP TO 6'6" PROJECTION
UP TO 8' PROJECTION
UP TO 10' PROJECTION
UP TO 11'6" PROJECTION
UP TO 13' PROJECTION

2 ARMS

30Nm
30Nm
50Nm
50Nm
50Nm
50Nm

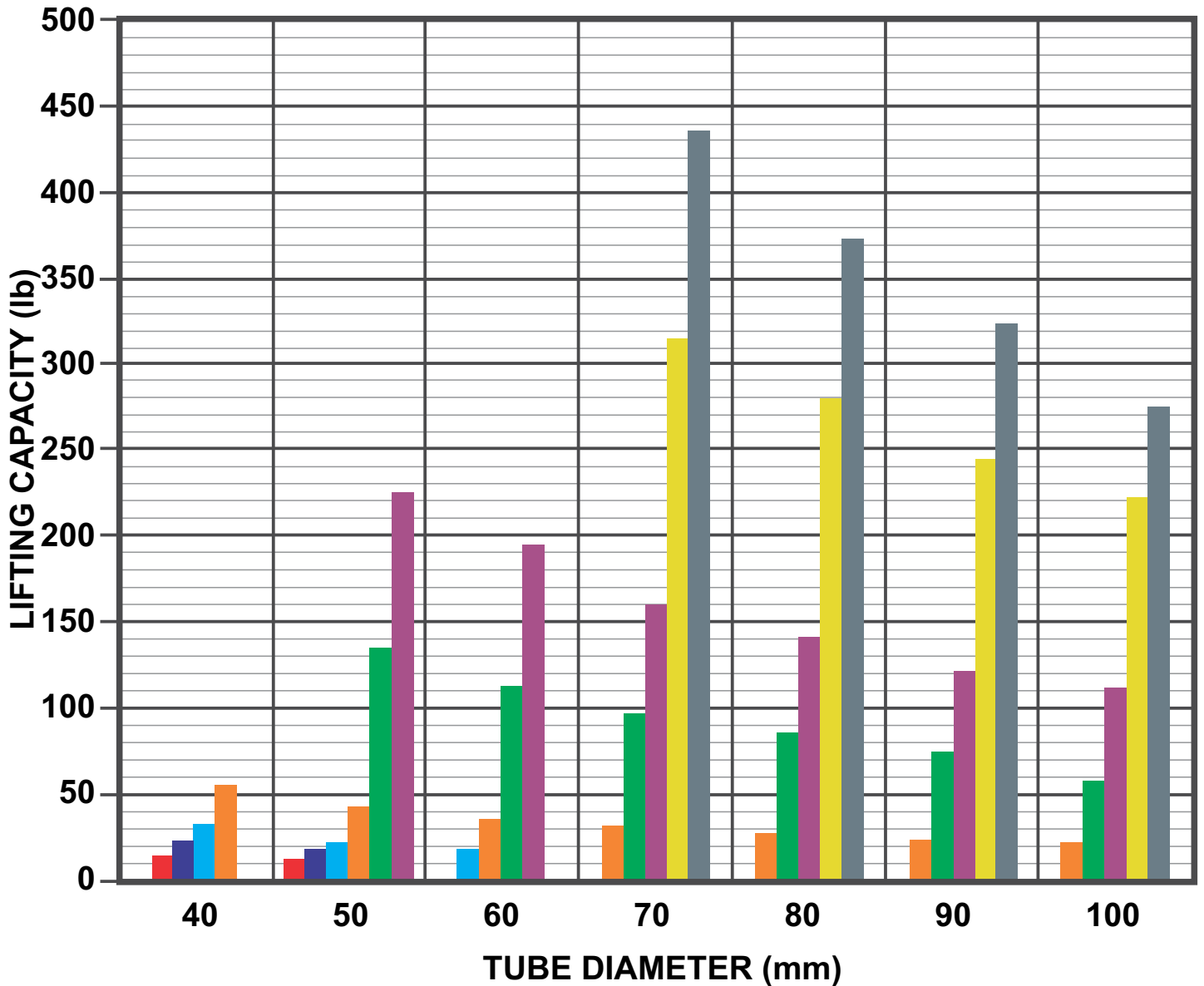
3 ARMS

50Nm
50Nm
50Nm
50Nm
100Nm
100Nm

4 ARMS

50Nm
100Nm
100Nm
100Nm
100Nm
100Nm

Motor Lifting Capacity Chart



To use this chart, simply find your tube size at the bottom of the chart, find the colour that matches the capacity of your motor and check against the weights on the left side.

NOTES



WEBSITE



INSTALLER APP


Alpha


TUBULAR MOTORS LLC

MOTORIZATION MADE EASY

USA DISTRIBUTION CENTER
1840 S COMMERCENTER CIRCLE
SAN BERNARDINO CA 92408



 909-307-2320

 909-307-2322

 sales@alphamotors.us

 www.alphamotors.us

